



COMPANY PROFILE

In a world with fast-paced technological changes that continuously occur, it has helped Euro Forgings Inc. develop into a company that embraces innovative means of bringing the best products and service to our customers through working closely together with our local and global partners.

Euro Forgings Inc. is a Canadian owned and operated business dedicated to our valued customers. Established since 1995, Euro Forgings has expanded to a 55,000 square-foot location, providing quality products and customer service to the industry. As the market evolves, Euro Forgings strives to stay at the forefront of the industry through the addition of new products and new product lines. Our product lines have expanded from pre-finished balusters (stainless steel / wood / wrought iron) and ornamental components for the Railing and Fence industries to our machinery and hand tools.

Always looking for ways to meet the needs of our customers, Euro Forgings is your no. 1 source for custom-made components in addition to the vast product lines that we carry. As we move forward in this global age, Euro Forgings looks forward to partnerships with various companies to continuously better our service and what we offer to our customers.

BUSINESS HOURS

Monday to Thursday – 8:00am - 5:00pm (Eastern Standard Time)
Friday – 8:00am - 4:00pm (Eastern Standard Time)

SHIPPING

Orders for stocked material received by 11:00am (Eastern Standard Time) are generally shipped on the same or next day. They are shipped as soon as possible thereafter. For an ETA on non-stocked or out-of-stock items, please contact us to inquire.

"Trade" customers within the Greater Toronto Area are eligible for free delivery. *Conditions apply.

Euro Ornamental Forgings Inc. cannot be held responsible for any delay or failure to make shipment or delivery of all or any part of the merchandise being sold due directly or indirectly to any cause beyond our reasonable control.

RETURN POLICY

Please inspect your parts immediately upon receipt in case of damage, shortage, or other discrepancies.

Euro Ornamental Forgings Inc. will replace or, at our option, will allow credit for the purchase price of such material if:

1. The material is defective or not in conformity with the agreed specifications.
2. We must be notified within 3 working days of receipt of order; otherwise, we cannot be held responsible.

Returns are subject to a maximum 20% restocking charge. Cost of returning goods is the customer's responsibility unless the error is attributable to Euro Ornamental Forgings Inc. Contact our office to obtain a returned goods authorization (RGA) number. Please note that returns are only accepted up to 30 days of purchase from invoice date.

For Stainless Steel returns:

1. Items must be in original packaging and in good condition.
2. We reserve the right to reject any return that does not meet the above.

MINIMUM ORDER

There is no minimum order when paying by Credit Card or Cash. If paying on account, there is a minimum order of \$25.00, exclusive of freight, packaging costs, and taxes.

PAYMENT TERMS

Terms of payment for customers with approved credit from our office is 30 days. Failure to comply with these Terms and Conditions may result in the cancellation of credit privileges without notice. If an account does not meet our terms of payment and must be turned over for collection, we reserve the right to charge collections costs or the amount awarded by the court in addition to the amount due.

We accept Visa and MasterCard as well as PayPal online. We also accept Debit and Cash at our offices. Payments by credit card on Net 30 or Net 60 accounts will incur a 2.5% fee.

PRICE MATCH GUARANTEE

If you find a lower advertised price on an in-stock identical item from a Canadian dealer, we will match the price. Please check our website for details.



VISIT OUR WEBSITE FOR THE LATEST UPDATES!

Have You Signed Up?

Visit us at www.euroforgings.com to sign up for our mailing list to receive e-mail notifications of **sales** and **new products**. Simply enter your e-mail address in the field and click on the "GO" button towards the bottom of our website. You can also select "Yes" to Subscribe to our Newsletter when registering for an online account from the **My Account** page.

5 EASY WAYS TO SHOP

www.euroforgings.com

Our website makes it easy to browse our products and order online 24 hours a day for shipment to you or pick-up at our warehouse. Simply register for an online account on the **My Account** page and visit our **Shop** section. Search by keywords or part numbers. Click on **New Products** on the **Home** page to see what's new and **Specials** to see what's on sale.

Head Office Call: 905-265-1093 • Toll Free: 1-800-465-7143

Montreal Office Call: 514-325-7977 • Toll Free: 1-866-574-7979

Phones are staffed Monday to Thursday from 8:00am to 5:00pm and Friday from 8:00am to 4:00pm Eastern Standard Time.

Outside these hours, please leave a voice message and our CSR will return your call.

Head Office Fax: 905-265-1063

Montreal Office Fax: 514-325-7974

Simply list each item number and desired quantity along with your contact information and fax it to us.

E-mail: sales@euroforgings.com

Simply list each item number and desired quantity along with your contact information and e-mail it to us. For **general inquiries**, please e-mail info@euroforgings.com.

Visit our warehouse

See our website under the **Contact Us** section for address and maps to our Head Office and Montreal Office.





ICON

BAR STOCK

A	Plain Square Bar
B	Hammered Corners Square Bar
C	Hammered Face & Corners Square Bar – 8 sides
D	Twisted Square Bar
E	Hammered Face Square Bar – 4 sides
F	Woodgrain Square Bar
G	Scored Square Bar
H	Hammered Face Square Bar – 2 sides
I	Grooved Square Bar (e.g. 8052/12)
A	Plain Square Bar – Hollow
B	Hammered Corners Square Bar – Hollow
C	Hammered Face Square Bar – Hollow
D	Hammered Corners Rectangular Bar – Hollow
A	Plain Round Bar
B	Textured Round Bar (e.g. 598/ series)
C	Woodgrain Round Bar – Type 1 (e.g. 599/ series)
D	Woodgrain Round Bar – Type 2 (e.g. 600/ series)
E	Grapevine Effect Round Bar
F	Grooved Round Bar
A	Plain Round Bar – Hollow
B	Twisted Round Bar – Hollow
A	Plain Rectangular Bar
B	Hammered Corners Rectangular Bar
C	Hammered Face Rectangular Bar – 2 sides
D	Scored Rectangular Bar
E	Hammered Face & Corners Rectangular Bar – 6 sides (2 faces + 4 corners)
F	Hammered Face Rectangular Bar – 1 side
A	Fluted Square Bar
B	Fluted Square Bar – Hammered Edge
X	Fluted Rectangular Bar
X	Fluted Rectangular Bar – 2 sides
••	Knots Double Round Bar (e.g. 615/ & 617/ series)
•••	Twisted Rope
••••	Quadri-Grooved Bar (e.g. 626/ series)
◆◆	Diamond Hammered Profile
L	Angle Iron
U	Channel
B	Banding Profile – Type 1
B	Banding Profile – Type 2
◐	Profile – Type 3 / Half Round Section

ICONS LEGEND

OTHER



Double-Faced (DF)
*Essentially or exactly the same on both sides; all castings double-faced unless otherwise specified.



Single-Faced (SF)
*Essentially flat on back side with little or no detail.



Side-Backed-Out (SBO)
*Concave on back side with no detail.

*Single-Faced (SF) and Side-Backed-Out (SBO) castings will not match when placed "back-to-back". Sand castings, by their nature, are NOT perfect mirror images.

SAMPLE ITEM

Hammered Corners Square Bar



Double Faced

12mm SQ.
420 x 530mm
Hamered version on page 158



Euro Forgings Website



Euro Forgings

Business Hours

Mon -Thurs – 8 am- 5 PM EST

Friday – 8 am - 4 PM EST

A photograph of a staircase with metal pickets. The pickets are made of polished metal and are arranged in a grid pattern. The background is a checkered floor.

View Our Pickets Section!

See The Latest Industry Trends!

[Learn More](#)





Euro Forgings Website



Euro Forgings

Business Hours

Mon -Thurs – 8 am- 5 PM EST

Friday – 8 am - 4 PM EST

Get To Know About Euro Forgings

Get To Know About Euro Forgings Euro Forgings is your no. 1 source for custom-made components in addition to the vast product lines that we carry.

[Learn More](#)





**STAINLESS
STEEL**





TURNING DREAMS INTO REALITY...

We're always seeking opportunities to craft innovative creations. With our many years of experience in the architectural industry along with our team of experts, we can help you bring your designs to life. If you have a design that you would like to be custom-made, please contact us regarding the details and we'll create it! It's that simple!







PRODUCT SEARCH





Pre-Fabricated Posts



Adjustable Rectangular Posts



Mini & Full-sized Posts



Adjustable Standoffs



Glass Standoffs



PanelGrip®



CableRail®



Wooden Fittings



Stainless Balusters & Accessories



Glass Clips & Glass Rubbers



Baluster Spider



Rod Holders



End Caps & Post Caps



Elbows



Rod & Tube Connectors



Saddles



Tube Supports



Wall Brackets



HandRail Brackets



Tube Rests



Footrail Brackets



Discs & Flangers



Plate Covers



Flanges, Wall & Flexible Base Mount



Horizontal Connector



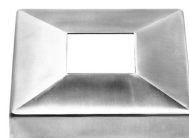
Upright Clamps



U-tube Fittings



Square Fittings



Tubing & Rod



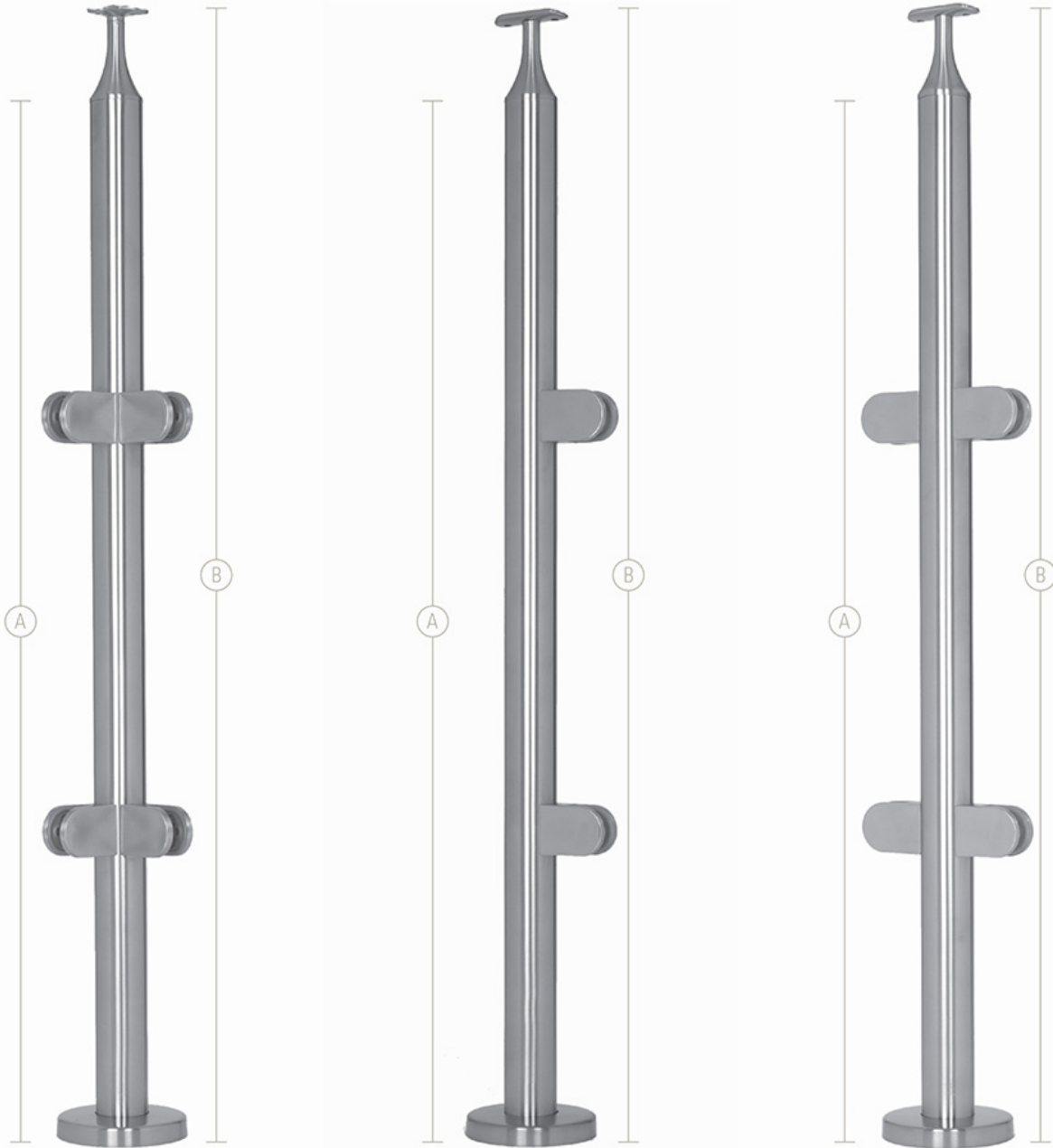
Adhesive, Sprays & Fasteners





PRE-FABRICATED POSTS

Round



	A	B		A	B		A	B
SSPG1.66L36C	32"	34.657"	SSPG1.66L36E	32"	34.657"	SSPG1.66L36L	32"	34.657"
SSPG1.66S40C	36"	38.657"	SSPG1.66S40E	36"	38.657"	SSPG1.66S40L	36"	38.657"
SSPG1.66L42C	38"	40.657"	SSPG1.66L42E	38"	40.657"	SSPG1.66L42L	38"	40.657"
D(tube) 42.4mm	T(thickness) 2.0mm		D(tube) 42.4mm	T(thickness) 2.0mm		D(tube) 42.4mm	T(thickness) 2.0mm	



PRODUCT CODE LEGEND

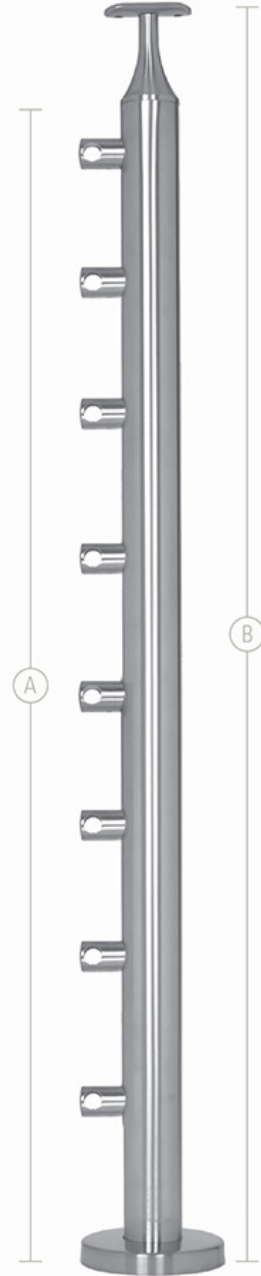
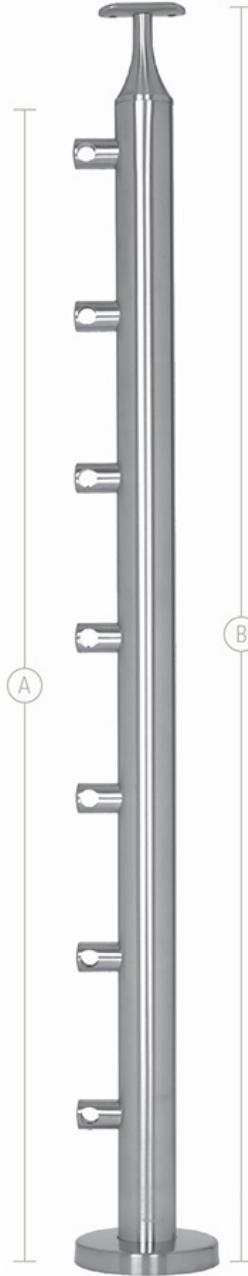
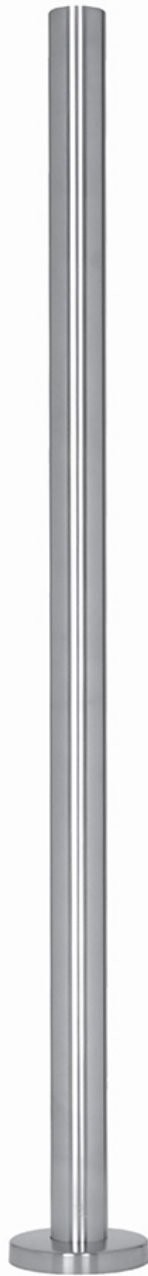
SS Stainless Steel
P Post
G Round

R Rod
SQ Square
1.66" Post Diameter

L Landing
S Stairway

C Corner
E End
L Line

36, 40, 42
Post Height in inches
with Railing on Top



7 HOLDERS

8 HOLDERS

	D (tube)	T (thickness)	A
SSPG1.540	38.1mm	1.5mm	40"
SSPG1.6640	42.4mm	2.0mm	40"
SSPG1.664016	42.4mm	2.0mm	40"
SSPG1.6642	42.4mm	2.0mm	42"
SSPG240	50.8mm	1.5mm	40"

	A	B
SSPR1.66L36	32"	34.657"

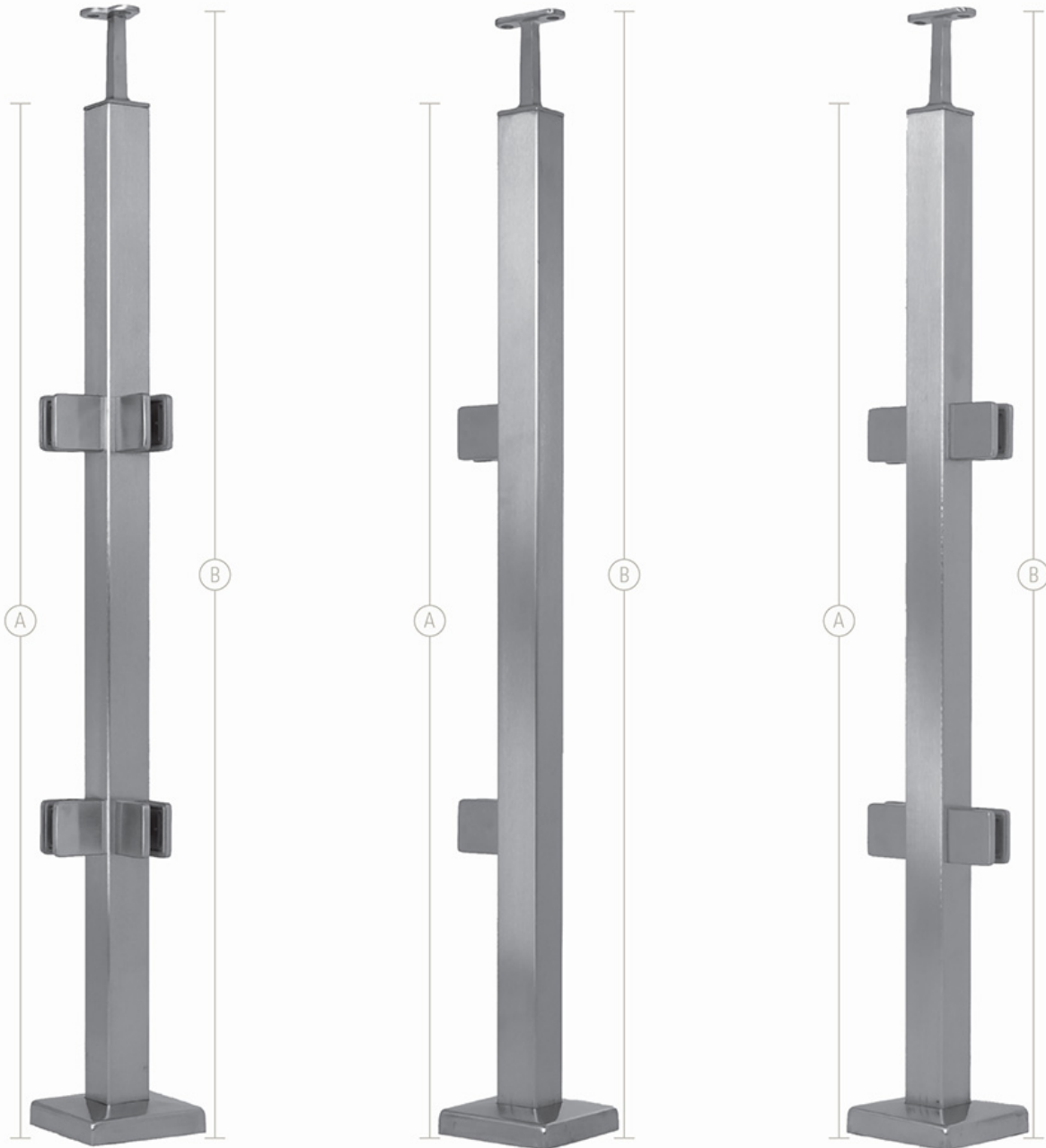
D(tube) 42.4mm **T**(thickness) 2.0mm

	A	B
SSPR1.66S40	36"	38.657"
SSPR1.66L42	38"	40.657"

D(tube) 42.4mm **T**(thickness) 2.0mm



Square



	<u>A</u>	<u>B</u>
SSPSQ40L36C	32.507"	35.657"
SSPSQ40S40C	36.507"	39.657"
SSPSQ40L42C	38.507"	41.657"

D(tube) 40 x 40mm **T**(thickness) 2.0mm

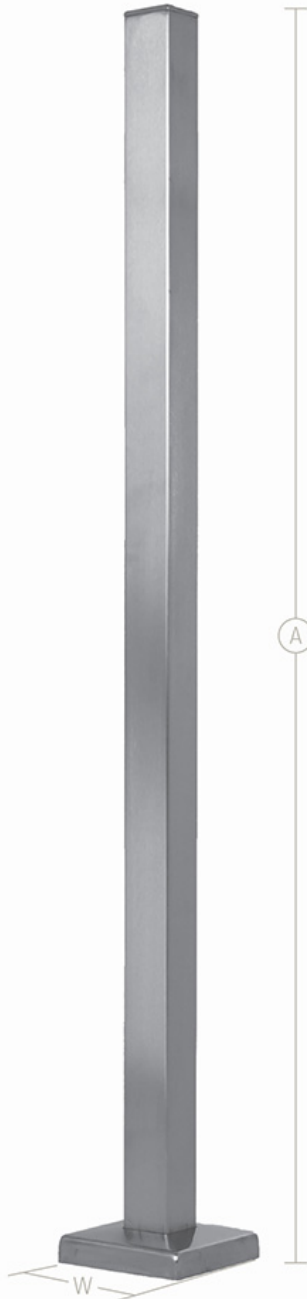
	<u>A</u>	<u>B</u>
SSPSQ40L36E	32.507"	35.657"
SSPSQ40S40E	36.507"	39.657"
SSPSQ40L42E	38.507"	41.657"

D(tube) 40 x 40mm **T**(thickness) 2.0mm

	<u>A</u>	<u>B</u>
SSPSQ40L36L	32.507"	35.657"
SSPSQ40S40L	36.507"	39.657"
SSPSQ40L42L	38.507"	41.657"

D(tube) 40 x 40mm **T**(thickness) 2.0mm

NOTE: All stairway posts include swivel saddle. Saddles are all flat. Glass clips on posts are suitable for glass thickness up to 10mm.



	<u>A</u>	<u>W</u>
SSPSQ40403	40"	3"
SSPSQ4040	40"	4"
SSPSQ4040316	40"	4"
SSPSQ4042	42"	4"

D(tube) 40 x 40mm **T(thickness)** 2.0mm



THIS PHOTOGRAPH & COVER: ESCALIERS GILLES GRENIER

ADJUSTABLE RECTANGULAR POSTS

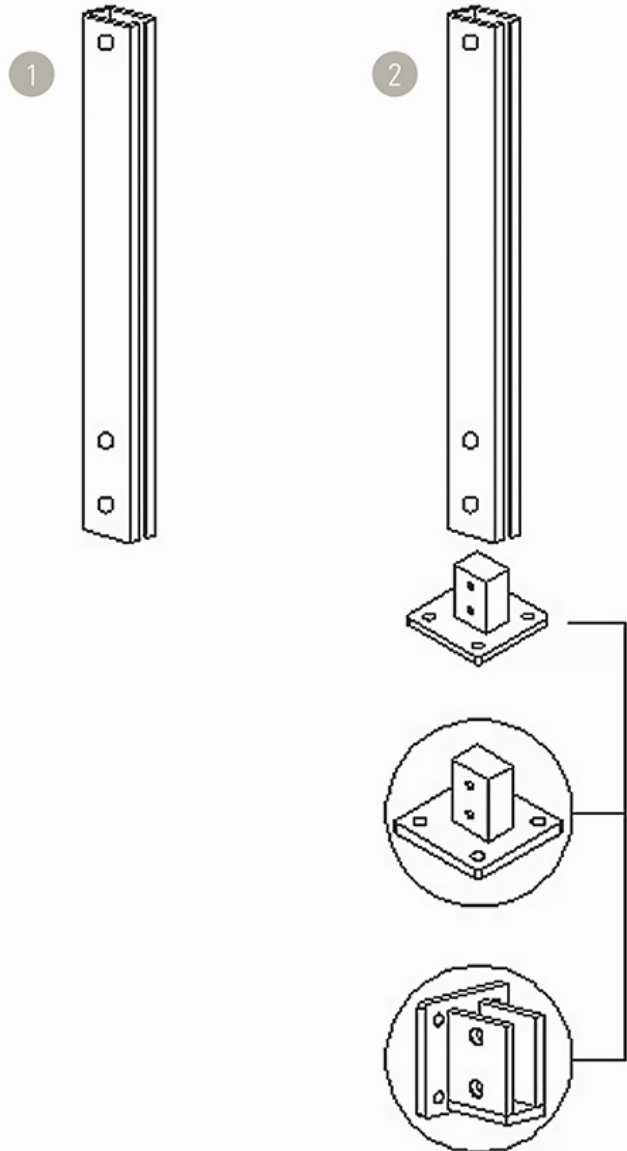
100% Stainless Steel • No Welding • No Drilling

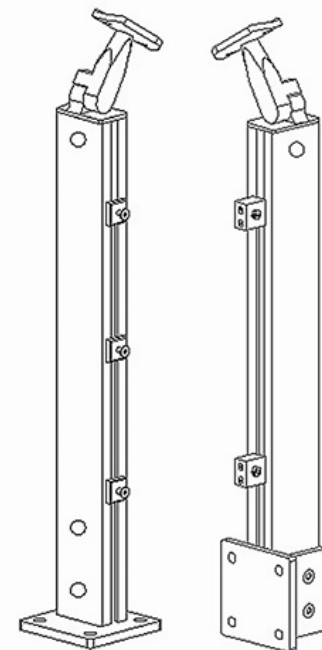
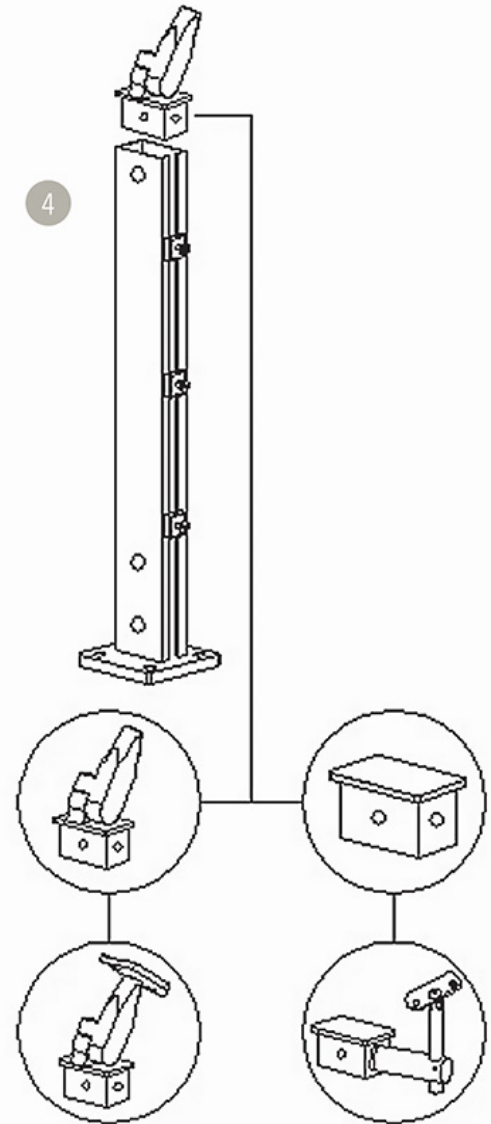
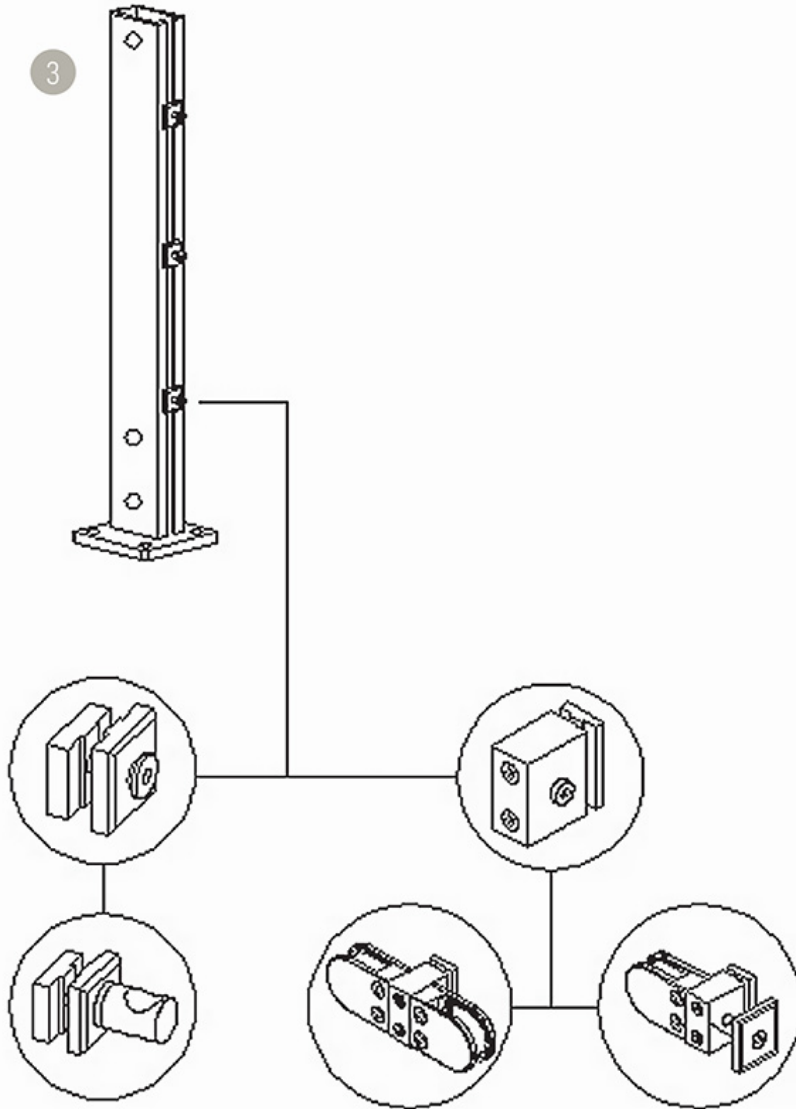


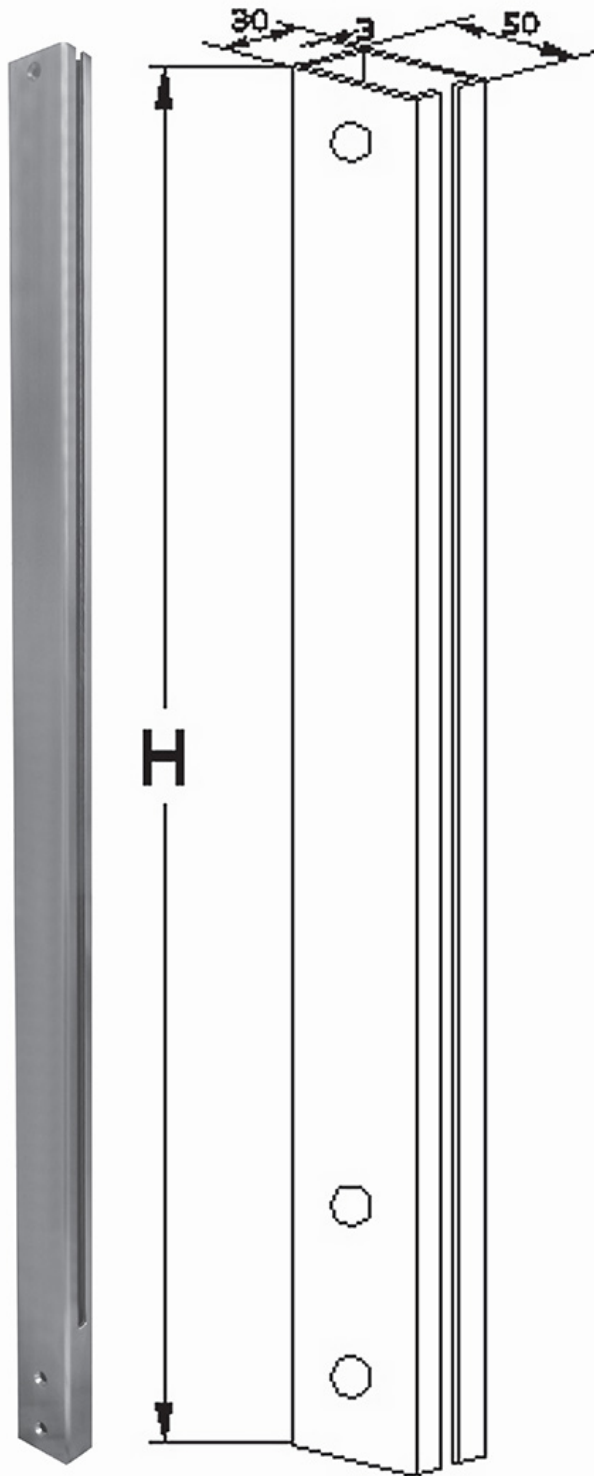
adjustable glass post



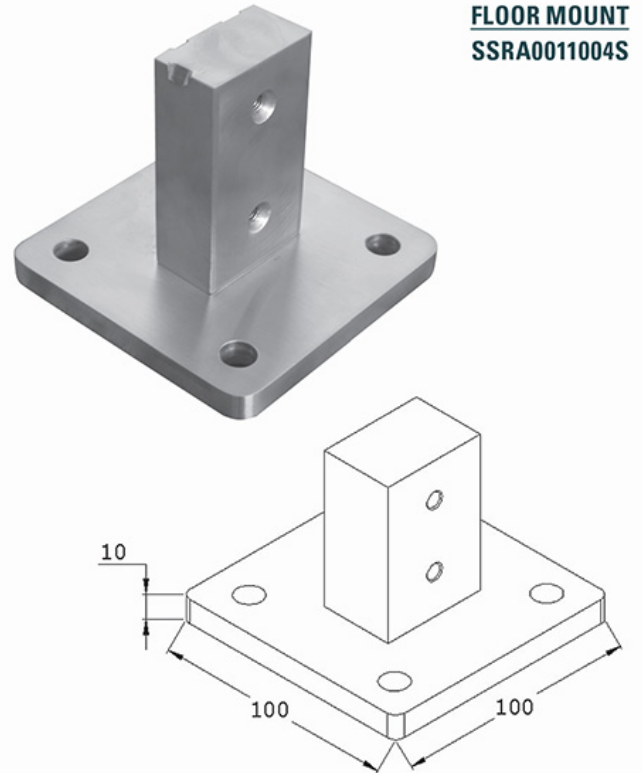
adjustable rod post



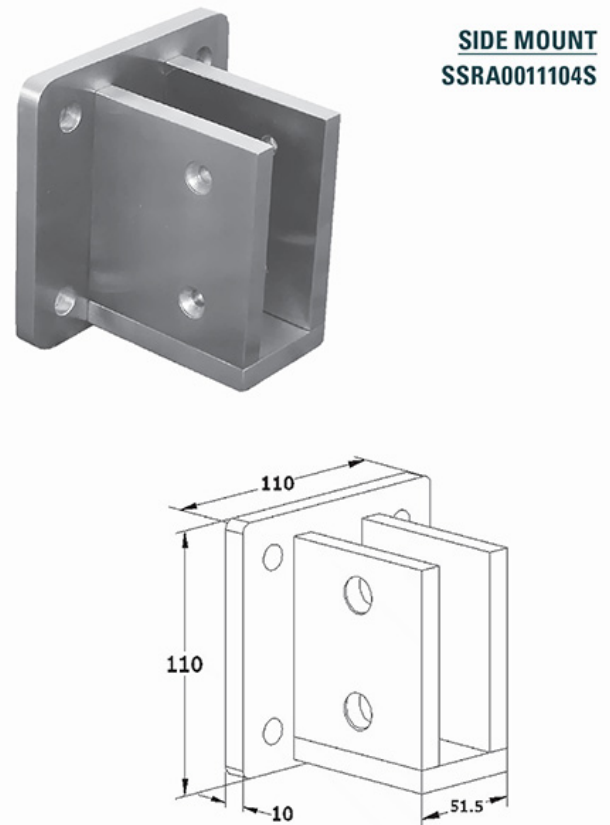




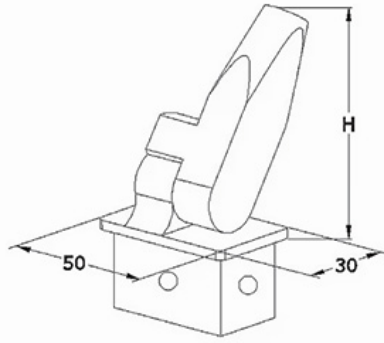
POST
 SSRA0050004S 940mm
 SSRA0050104S 1065mm



FLOOR MOUNT
 SSRA0011004S



SIDE MOUNT
 SSRA0011104S

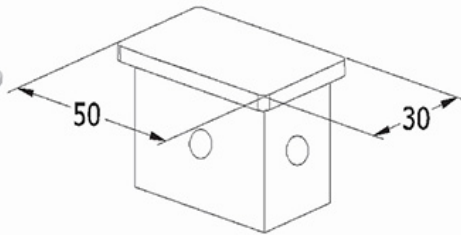


HANDRAIL CONNECTOR

to be used with saddle. (See page A58)

SSRA0060004S

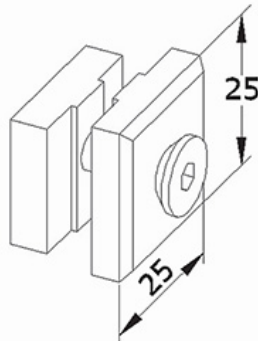
H = 0-72mm



POST CAP

can be used with handrail bracket. (See page A62)

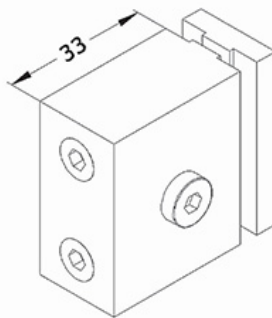
SSRA0070004S



ROD HOLDER ATTACHMENT

to be used with rod holder. (See page A51)

SSRA0030004S



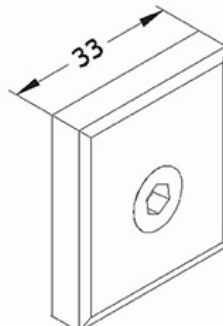
GLASS CLIP ATTACHMENT

to be used with glass clips. (See page A43)

SSRA0040204S 40 x 50mm

SSRA0040104S 63 x 45mm & 45 x 45mm

SSRA0040004S 55 x 55mm



SIDE PLATE FOR GLASS CLIP

SSRA0041204S 40 x 50mm

SSRA0041104S 63 x 45mm & 45 x 45mm

SSRA0041004S 55 x 55mm



MINI POSTS & FULL-SIZED POSTS

MINI POSTS



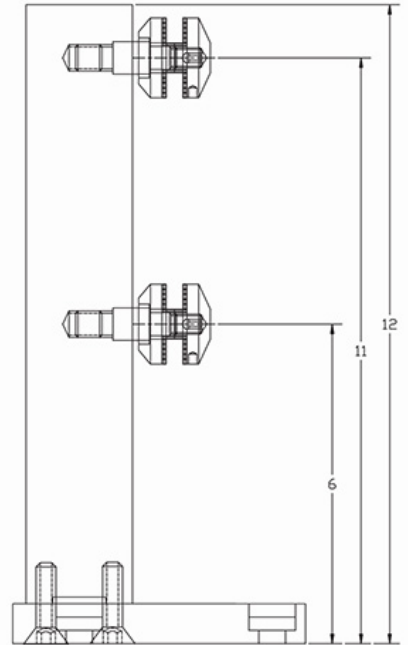
Black Anodized Aluminum
Part #
ALMPB112SUR



Clear Anodized Aluminum
Part #
ALMPC112SUR



Stainless Steel
Part #
SSMPAS112SUR

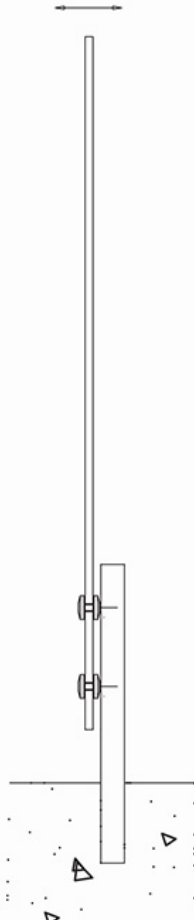


Tint Sample: Stainless Steel mini posts available in tint as custom order. Contact us to inquire.
Part # **SSMPASTINT**

SIDE MOUNT



CORE MOUNT



SURFACE MOUNT



Mini Posts and Full-sized Posts with Adjustable Standoffs for Structural Glass Railings

- Adjustable standoffs allow precise vertical alignment of glass panels.
- Adjustable standoffs come in 1 1/2" diameter.
- Mini posts available in surface mount. For side mount and core mount options, please contact us to inquire.
- Full-sized posts available in surface mount only. Handrail brackets come standard in side mount option. Top mount and blank options available upon request.
- Mini posts are 3/4" x 2" with an overall height of 12" including surface mount plate. Full-sized posts are 3/4" x 2" with an overall height of 33" or 39" including surface mount plate. Surface mount plate is 5 1/2" x 3" x 3/4". All posts come with 3 pcs. anchor covering caps.
- Recommended glass size is 1/2".
- **Subject to patent: US8641343B2.**

Tapered Cap

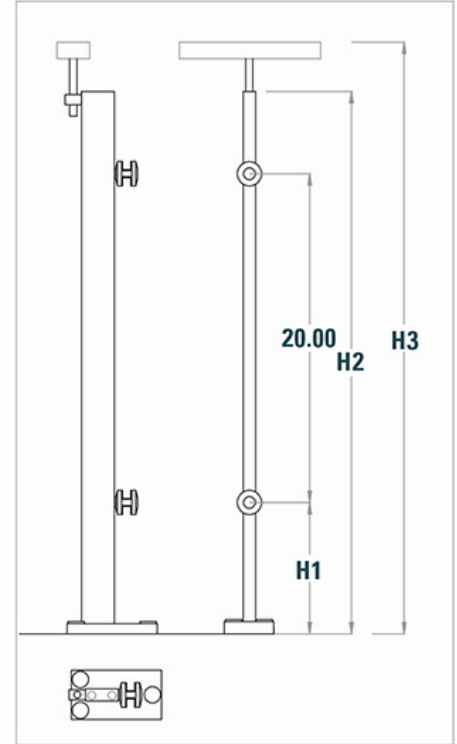
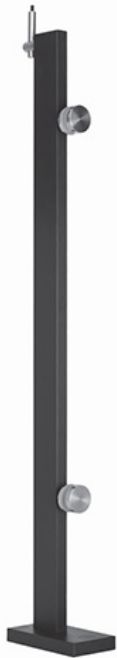
Mini posts and full-sized posts are equipped with our patented adjustable standard flat caps. Tapered caps are available for purchase as an alternative.

Part #
SSTAPERCAP





FULL-SIZED POSTS



Black Anodized Aluminum

Part #	Size
SSMP36ALUMB	33"
SSMP42ALUMB	39"

Clear Anodized Aluminum

Part #	Size
SSMP36ALUMC	33"
SSMP42ALUMC	39"

Stainless Steel

Part #	Size
SSMP36SS	33"
SSMP42SS	39"

Size	H1	H2	H3
33"	8"	33"	36"
39"	11"	39"	42"

*Full-sized posts available in surface mount only.

Tint Sample: Stainless Steel full-sized posts available in tint as custom order. Contact us to inquire.

Part #	Size
SSMP36TINT	33"
SSMP42TINT	39"

Handrail Brackets



Handrail brackets come standard in side mount option. Included: 1 pc. stainless steel handrail bracket.

Handrail brackets in top mount and blank options available upon request.

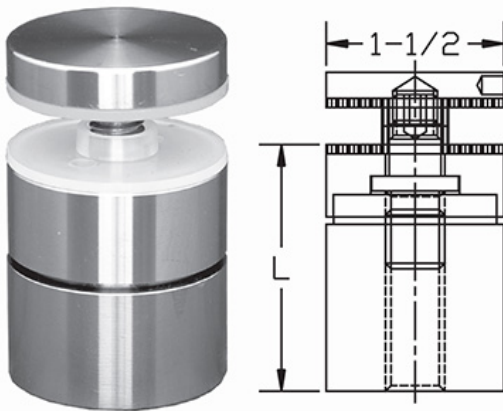


ADJUSTABLE STANDOFFS



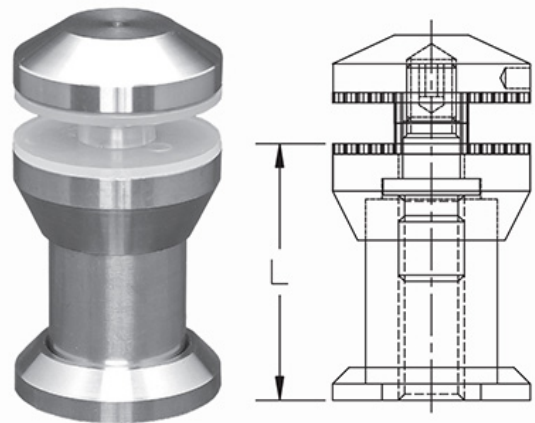
PHOTOGRAPH: EXCEL ENCLOSURES & RAILINGS

Flat



Part #	Diameter	Length
SSASF112112	1 1/2"	1 1/2"
SSASF1122	1 1/2"	2"

Tapered



Part #	Diameter	Length
SSAS112112	1 1/2"	1 1/2"
SSAS1122	1 1/2"	2"

Tint Sample: Flat version of adjustable standoffs available in tint as custom order. Contact us to inquire.

Part #	Diameter	Length
SSAST112112	1 1/2"	1 1/2"
SSAST1122	1 1/2"	2"



Adjustable Standoffs for Structural Glass Railings

- Allow easy and precise vertical alignment of glass panels.
- No need for shims or extra washers.
- No need to remove glass panel in order to add extra washers.
- No need to bend glass panels in order to line them up using glass caps or handrails.
- After glass panel is set in place, it can be vertically aligned from the face side using Allan key.
- Individual standoffs can extend up to 1/4", which translates into a few inches of adjustability at the top of the glass.
- Material is 304 grade stainless steel. Satin finish.
- Standoffs come in 1 1/2" standard diameter (D) and standard lengths (L) of 1 1/2" and 2".
- Use 1/2"-13 fasteners for mounting.
- Recommended glass size is 1/2".
- Recommended hole size for glass is 3/4" to a max of 7/8".
- Engineering available.
- **Subject to patent: US8641343B2.**

Accessories

SSSPANNER
SPANNER for 35-60mm standoffs



SSASHANG212Z (Zinc)
SSASHANG212S (Stainless Steel)
HANGER BOLT 2 1/2"



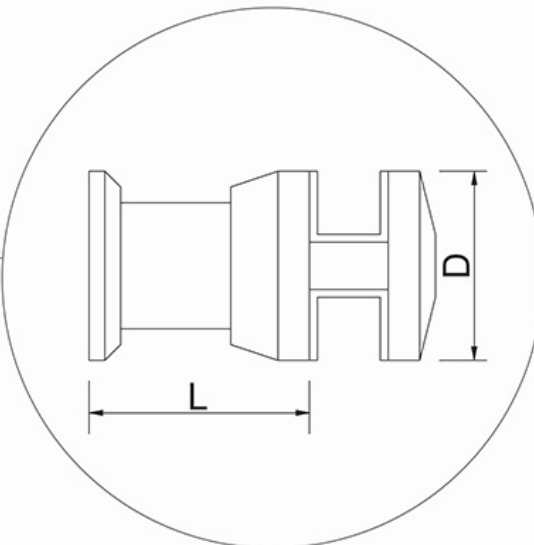
SSASHANG314Z (Zinc)
SSASHANG314S (Stainless Steel)
HANGER BOLT 3 1/4"



HB12312
HANGER BOLT 1/2"-13 x 3 1/2"



SSASANCHORSS (Stainless Steel)
ADJUSTABLE ANCHOR 3/8"



Scan to watch our installation video



GLASS STANDOFFS All items are SS304. Glass rubbers included with caps or can be purchased separately.

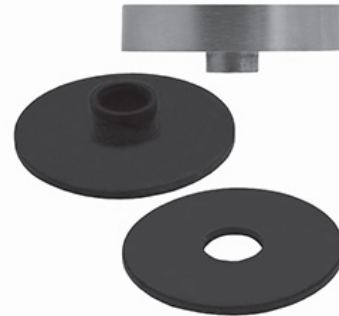
1/4" Cap

STCAP1144S M8 thread Recommended glass hole size 5/8"
STCAP114RBN (glass rubber)



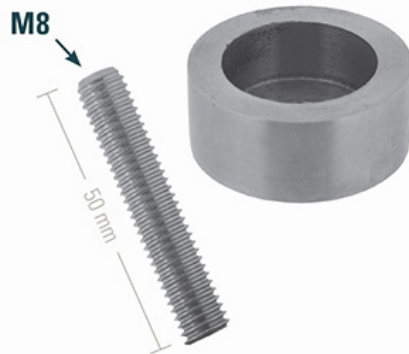
1/2" Cap

STCAP1124S M10 thread Recommended glass hole size 1/2"
STCAP112RBN (glass rubber)



1/4" Spacer

ST11412F4S 1/2" long flat M8; 50mm

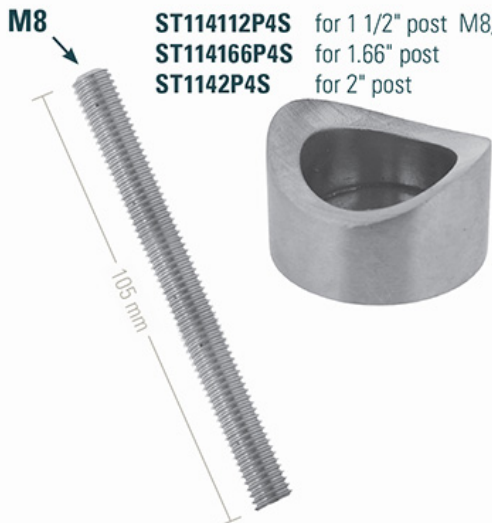


1/2" Spacer

ST1121F4S 1" long flat M10; 95mm



ST114112P4S for 1 1/2" post M8; 105mm
ST114166P4S for 1.66" post
ST1142P4S for 2" post



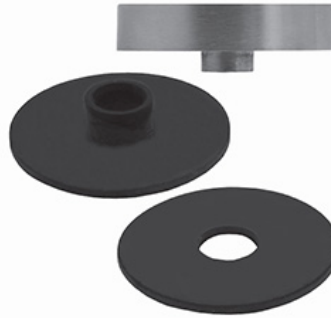
ST112112F4S 1 1/2" long flat M10; 105mm





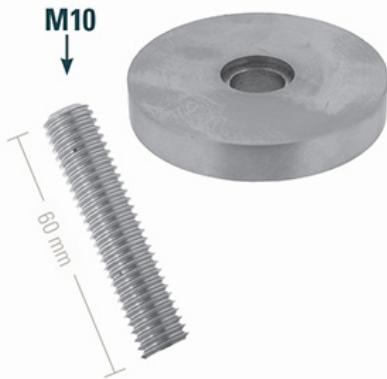
2" Cap

STCAP24S M10 thread Recommended glass hole size 3/4"
STCAP2RBN (glass rubber)



2" Spacer

ST238F4S 3/8" long flat M10; 60mm



ST234F4S 3/4" long flat M10; 80mm



ST21F4S 1" long flat M10; 80mm



ST2112F4S 1 1/2" long flat M10; 105mm



ST2112P4S for 1 1/2" post M10; 105mm
ST2166P4S for 1.66" post
ST22P4S for 2" post



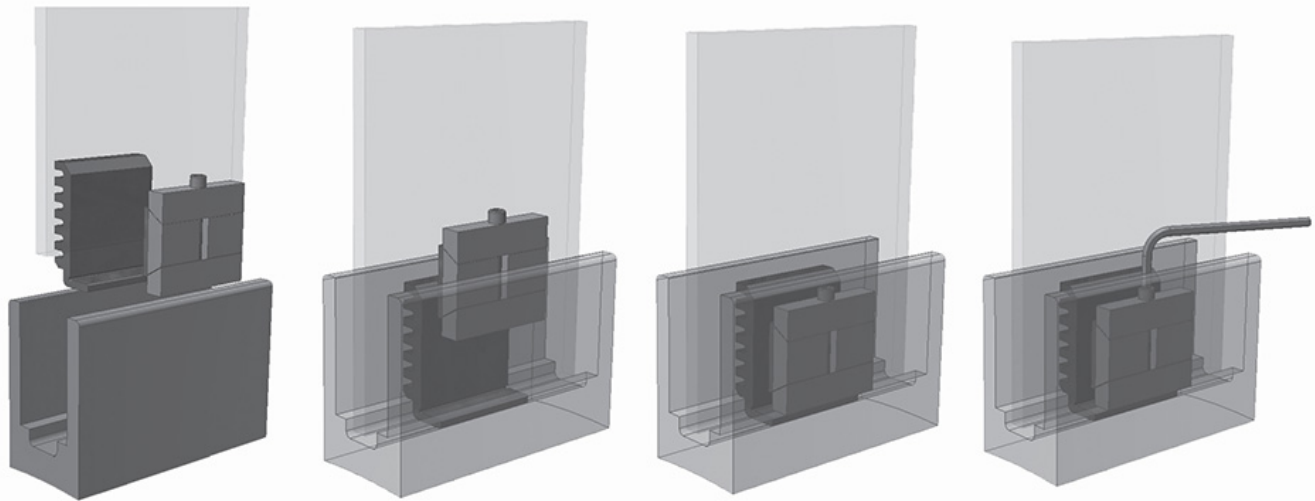


PANELGRIP®





PanelGRIP® glass railing system



The **Wagner PanelGrip System** utilizes a unique locking mechanism of high-strength Aluminum and PVC *isolators* combined with a specially designed Aluminum *Shoe Moulding*.

When assembled with tempered or laminated tempered glass of the appropriate size, **PanelGrip®** enables the installer to fabricate a structural **Glass Railing System** with significant reductions in labour and freight costs over standard wet glaze options.

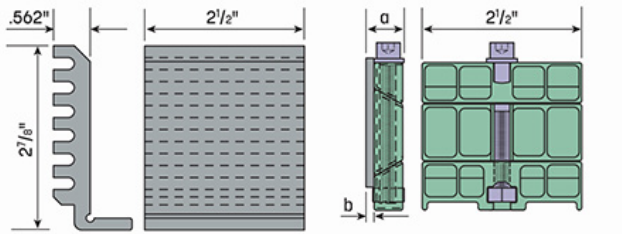
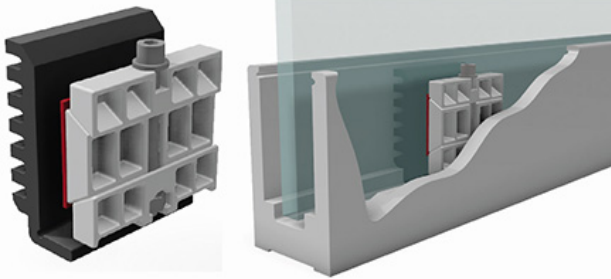
- **Reduce Labour Costs Up To 80%**
No sealing of *Shoe Moulding*, no *Setting Blocks*, no plumbing of glass, no multiple pours of cement, no waiting for cement to cure, no messy clean-up.
- **Reduce Freight Costs Up To 30%**
PanelGrip shoe is almost 30% lighter than standard *Shoe Moulding* yet meets structural load requirements for railings.
- **Broadest Grip Range Of Any Dry Glaze Option**
For Monolithic and Laminated Tempered Glass. Options available to work with any panel between .37" and .55" (9.4mm and 14mm).
- **No Special Tools Required**
All you need is an Allen wrench for installation or removal.
- **No Mess**
No mixing and pouring of expansion cement.
No running of cement on incline.

PanelGrip® is a registered trademark of R & B WAGNER, INC. All specifications subject to change without notice. Information furnished by THE WAGNER COMPANIES is believed to be accurate and reliable. However, no responsibility or liability by THE WAGNER COMPANIES for its use, nor for infringement of patents or other rights of third parties which may result from its use. No license is granted by implication or otherwise.

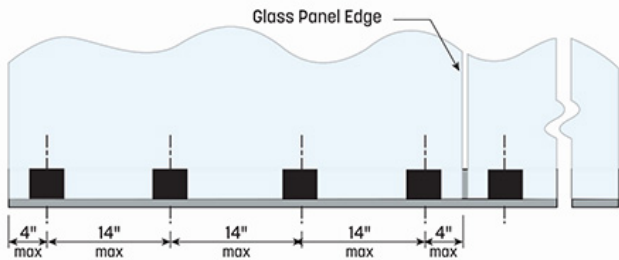


PanelGrip®

Plastic Isolator with Aluminum **PanelGrip®** Assembly
Subject to one or more of the following patents: US7730682, US8181405, NZ581456, CA2697162, EP2171180, and AU2008282693.



Package of 4	a	b	Grip Range with SSSMSHOE20	Grip Range with SSSMSHOE2034
SSSMGRIPS	.498" - .722"	.060"	.370" - .550" 9.4mm - 14.0mm	.620" - .800" 15.7mm - 20.3mm



System for 200 lb. point load with 4x safety factor
14" center-to-center maximum with
4" maximum from center to glass edge.

PANELGRIP TORQUE WRENCH

3/8" Torque Wrench, 3/8" Drive, 20-200 in-lbf. For setting PanelGrip mechanism into PanelGrip Shoe Moulding.



SSSMWRENCH

WEDGE-BOLT® - ORANGE TIP

Use for **Shoe Moulding with Counterbored Holes**.



CAP SCREWS

Low profile, flat head, socket head for mounting to tapped Steel substrates.
Recommended Torque: 43 ft-lbf.



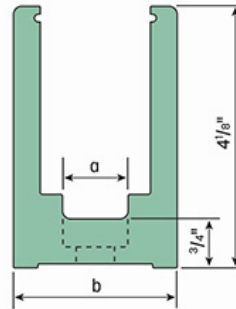
Package	Steel Zinc Plated	Stainless
1/2-13 x 1 1/4"	SSSMSCREWZNK	SSSMSCREWSS*

PanelGrip® SHOE MOULDING

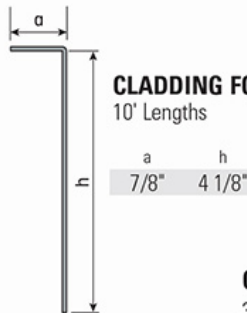
Aluminum, 6005-T5; 10' and 20' Lengths
Subject to one or more of the following patents: US7730682, US8181405, NZ581456, CA2697162, EP2171180, and AU2008282693.

Produced from extruded Aluminum, they may be anodized, painted, or clad to match the **Top Rail** or area decor. The Shoe is the key to the structural integrity of any **Glass Railing System**. Proper attachment is extremely important.

a	b	Glass	Length	Counterbored Holes
1"	2 1/2"	1/2"	20'	SSSMHOE20
1"	2 1/2"	1/2"	10'	SSSMHOE10
1 1/4"	2 3/4"	3/4"	20'	SSSMHOE2034*
1 1/4"	2 3/4"	3/4"	10'	SSSMHOE1034*



Holes begin 6" from each end and are then spaced 12" on center.



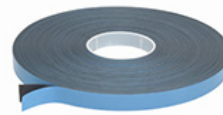
CLADDING FOR SHOE MOULDING

10' Lengths

a	h	Satin Stainless
7/8"	4 1/8"	SSSMCLADDING

CLADDING TAPE

3/4" x 108' Roll
Pressure sensitive, high-strength adhesive used for adhering **Cladding** and **End Caps** to **Shoe Moulding**.



Cladding Tape **SSSMCLADTAPE**

SHOE MOULDING END CAPS - FORMED FROM SHEET

Width	Height	Satin Aluminum
2 1/2"	4 1/8"	Available upon request. Contact us to inquire.
2 3/4"	4 1/8"	Available upon request. Contact us to inquire.

These **End Caps** are for use when **Shoe Moulding** uses **Cladding** and **Cladding Tape** results in widening the overall width of the base by 1/8".

Width	Height	Satin Anodized Aluminum	Satin Stainless
2 5/8"	4 1/8"	SSSMENDCAPCL	
2 7/8"	4 1/8"	Avail. upon req.	Avail. upon req.

SHOE MOULDING END CAPS - EXTRUDED

Aluminum, 6063 Alloy.

Width	Height	Satin Aluminum
2 1/2"	4 1/8"	SSSMENDCAP

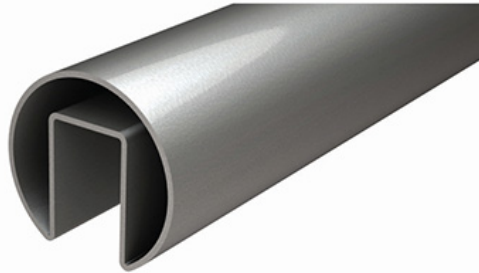
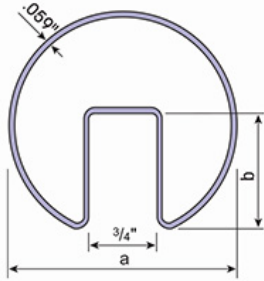
*Indicates Custom Order items



STAINLESS STEEL ROLL FORMED TOP RAIL

18' Lengths.
Type 316 (Type 304 is also available)
Circumferential Satin or Bright Polished Finish.
For use with glass up to 9/16" thick.

These Stainless Steel sections have no visible seam and are suitable for bending.



End Caps



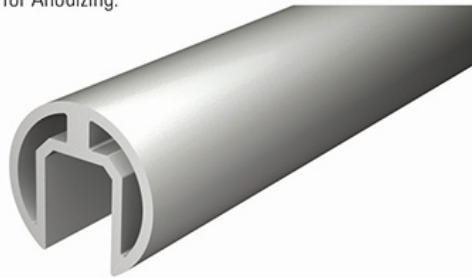
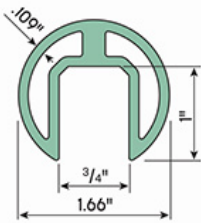
Splice Connectors

a	b	Finish	Top Rail	End Cap	Internal Splice	Horizontal Miter
1.50"	1"	Satin	Available upon request. Contact us to inquire.	Available upon request. Contact us to inquire.	Available upon request. Contact us to inquire.	Available upon request. Contact us to inquire.
1.50"	1"	Polished	Available upon request. Contact us to inquire.	Available upon request. Contact us to inquire.	Available upon request. Contact us to inquire.	Available upon request. Contact us to inquire.
1.66"	1"	Satin	Available in Type 304 & 19' Length. Contact us to inquire.	Available in Type 304 & 19' Length. Contact us to inquire.	Available in Type 304 & 19' Length. Contact us to inquire.	Available in Type 304 & 19' Length. Contact us to inquire.
1.66"	1"	Polished	Available upon request. Contact us to inquire.	Available upon request. Contact us to inquire.	Available upon request. Contact us to inquire.	Available upon request. Contact us to inquire.
1.90"	1 1/4"	Satin	SSSMTOP19	SSSMTOP19END	SSSMTOP19SPL^	SSSMTOP19MITER

^Aluminum for use with Stainless Steel for 1.66" and 1.90".

EXTRUDED ALUMINUM TOP RAIL

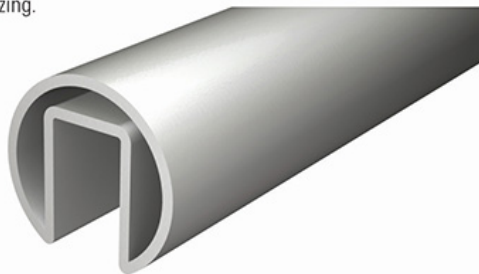
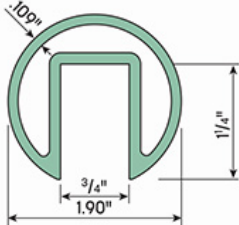
20' Lengths.
Aluminum Alloy 6063-T52, .900 lb/ft. Suitable for Anodizing.
For use with glass up to 9/16" thick.



Finish	Top Rail	End Cap	Internal Splice	Horizontal Miter
Mill	Available upon request. Contact us to inquire.	Available upon request. Contact us to inquire.	Available upon request. Contact us to inquire.	Available upon request. Contact us to inquire.
Satin Anodized	Available upon request. Contact us to inquire.	Available upon request. Contact us to inquire.	Available upon request. Contact us to inquire.	Available upon request. Contact us to inquire.

EXTRUDED ALUMINUM TOP RAIL

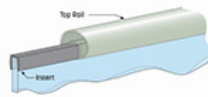
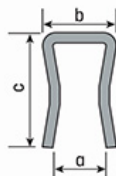
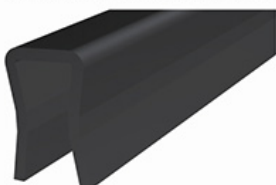
20' Lengths.
Aluminum Alloy 6063-T52, Suitable for Anodizing.
For use with glass up to 9/16" thick.



Finish	Top Rail	End Cap	Internal Splice	Horizontal Miter
Mill	Available upon request. Contact us to inquire.	Available upon request. Contact us to inquire.	Available upon request. Contact us to inquire.	Available upon request. Contact us to inquire.
Satin Anodized	Available upon request. Contact us to inquire.	Available upon request. Contact us to inquire.	Available upon request. Contact us to inquire.	Available upon request. Contact us to inquire.

PROTECTIVE INSERT

These **Inserts** protect the top edge of the glass from making contact with the metal rail cap.



a	b	c	Length	PVC
1/2"	3/4"	1"	5'	Avail. upon req.
1/2"	3/4"	1 1/4"	5'	SSSMTOP19INS

SPACING AND SEALING PADS

These die cut foam pads with adhesive on one side act as spacers.

1/4" Thick, 3 7/16" High, High Density Foam.

1/2" Glass **SSSMSPACER**
3/4" Glass **Avail. upon req.**



Sealing Pad

GASKET - BLACK, FOR PANELGRIP SHOE

For use without **Cladding**.

3/4" Wide x 9/16" High.

Gasket 20' **Avail. upon req.**

Gasket 40' **SSSMGASKET40**

Gasket 100' **Avail. upon req.**

Gasket 250' **Avail. upon req.**



GASKET - BLACK

For use with **Cladding** only. 1 1/8" Wide x 1/4" High.

Peel back paper to reveal self-adhesive strip. Stick onto underside of **Cladding** before applying **Cladding** to **Shoe Moulding**.

Glass Over .460"

Gasket 20' **Available upon request.**

Gasket 40' **SSSMGASKCL40**

Gasket 100' **Available upon request.**

Gasket 500' **Available upon request.**



Cladding →

HORSESHOE SHIMS

2" Wide x 3" Long. 10/package.

Thickness as noted below. Will not

compress or project beyond the **Shoe**. May be stacked as necessary.

Thickness	Aluminum
1/8"	SSSMSHIMS





Cable Assemblies & Accessories

EVERYTHING YOU NEED FOR YOUR BASIC CABLE PROJECT IS LISTED ON THIS PAGE. CHOOSE YOUR ASSEMBLY LENGTHS, A PREFERRED STYLE OF END CAP, ACCESSORY ITEMS, AND YOU'RE GOOD TO GO.



Each assembly includes the selected length of 1/8" diameter type 316 stainless steel cable with a Threaded Terminal fitting pre-attached to one end, one stainless steel Quick-Connect® SS fitting, two flat washers, and one stainless steel Snug-Grip® Washer-Nut.

Assembly Lengths	Metal Assembly#	Wood Assembly#
5'	SSCBKIT4145	SSCBKIT7125
10'	SSCBKIT41410	SSCBKIT71210
15'	SSCBKIT41415	SSCBKIT71215
20'	SSCBKIT41420	SSCBKIT71220
25'	SSCBKIT41425	SSCBKIT71225
30'	SSCBKIT41430	SSCBKIT71230
40'	SSCBKIT41440	SSCBKIT71240
50'	SSCBKIT41450	SSCBKIT71250

Assemblies for metal railings have 4 1/4" Threaded Terminals and nylon washers. Assemblies for wood railings have 7 1/2" Threaded Terminals and stainless steel washers.

Select a preferred end cap style to cover, protect, and finish each end. End caps sold separately.

Polyethylene: two colours to choose from.



Black Brown

COLOURED END CAPS (POLYETHYLENE)

Sold 10 per package.

SSCBECBL Black, 3/4"OD x 3/8"H

SSCBECBR Brown, 3/4"OD x 3/8"H

Stainless steel: two style options.



Dome Chamfer

STAINLESS END CAPS

Sold 4 per package.

SSCBECSSDO Dome Style, 3/4"OD x 3/8"H

SSCBECSSCH Chamfer Style, 3/4"OD x 3/8"H

STAINLESS PROTECTOR SLEEVES

(Wood Posts Only) For protecting corner and stairway transition posts from cable abrasion. Sold 10 per package.

SSCBSL1478 1/4"OD x 7/8" long
(fits 1/4" diameter drill holes)



STAINLESS BEVELED WASHERS

For providing a flat bearing surface when attaching fittings at angled stair terminations. Sold 4 per package.

SSCBBW3834 3/4"OD x 3/8"ID
(Quick-Connect®SS ends)

SSCBBW93234 3/4"OD x 9/32"ID
(Threaded Terminal ends)



CABLE CUTTERS

For shearing excess cable. Sold 1 per package.

SSCBWCUT18 8" long, coated handles, hardened jaws



FEENEY TENSION GAUGE

Easy-to-use tool for checking cable tension. Sold 1 per package.

SSCBTG Designed for 1/8" CableRail cable.



CABLE LACING NEEDLE

For quickly lacing cable ends through posts without snagging. Sold 1 per package.

SSCBNE18 4 1/2" long, reusable



QUICK-CONNECT® RELEASE TOOL

For temporarily releasing the jaws of the Quick-Connect®SS fitting to remove or adjust the position. Sold 1 per package.

SSCBRT18 1/2"OD x 1 1/8" long, reusable



FEENEY INTERMEDIATE PICKETS

Slender, low-maintenance, and time-saving vertical spacer option for wood railing frames. Made from powder-coated aluminum and pre-drilled at 3" spacing for CableRail cables. Slotted holes on the stair pickets will accommodate a stairway slope of between 20 and 45 degrees. Can be trimmed to fit railings up to 42" high. Includes all base plates and attachment screws. Silver colour.

SSCBIP244 Landing rail picket, 3/4" square x 44" long

SSCBIP246 Stairway rail picket, 3/4" square x 46" long





PanelGrip® Installation:

1. PanelGrip® is self-plumbing – take all necessary steps to ensure that the mounted Shoe is adjusted such that the inside channel of the Shoe is plumbed to +/- 1/8" at an extended height of 42". Spend the time required to plumb the Shoe to this tolerance since the glass will only be as plumb as the Shoe.
2. Clear the PanelGrip® Shoe Moulding of all debris.
3. Place the PanelGrip® Plastic Isolators into the Shoe Moulding. Space Plastic Isolators a maximum of 14" on center with a maximum of 4" in from the left and right edges of each panel – 4 isolators per 4-foot panel.
4. Place the glass atop the Plastic Isolators in the Shoe Moulding. *Warning: With multi-panel Railings, do not line up the edge of a panel with the end of the Shoe Moulding – place the panels so that they span PanelGrip® Shoe Moulding butt joints to assist in alignment.*
5. Have someone hold the panel in place while you insert the Aluminum PanelGrip® mechanism into place on the opposite side of the glass in alignment with the Plastic Isolators. Make sure that the plastic pad on the PanelGrip is facing the glass.
6. Using a 3/16" hex head wrench, tighten the Cap Screw on the PanelGrip mechanism. While tightening, the plastic pad will break away from the Aluminum as the unit expands.
7. Confirm alignment and make adjustments prior to final tightening, which will compress and lock the panel into place. Remember, PanelGrip® is self-centering and self-plumbing. Make sure you have properly plumbed the Shoe as noted in Step 1.
8. Once you have confirmed position, use a 3/16" hex head wrench or our SSSMWRENCH to make the PanelGrip® Cap Screw snug-tight, then continue tightening to 120 to 180 in-lbf (10 to 15 ft-lbf) of torque – approximately one quarter turn. Repeat on all other PanelGrip units to secure the panel in position.
9. Repeat with other lites of glass. Insert 1/4" Spacing Pads between glass panels to prevent glass-to-glass contact. Trim as required.
10. Once glass is properly positioned, seal gap at the top of the PanelGrip® Shoe Moulding using one of the two gasket styles. Spray glass cleaner onto glass to facilitate insertion of gaskets.
11. Weep holes should be provided with exterior applications.
12. Should you need to remove a panel, this can be done simply by loosening the PanelGrip® Cap Screw.



CABLERAIL®

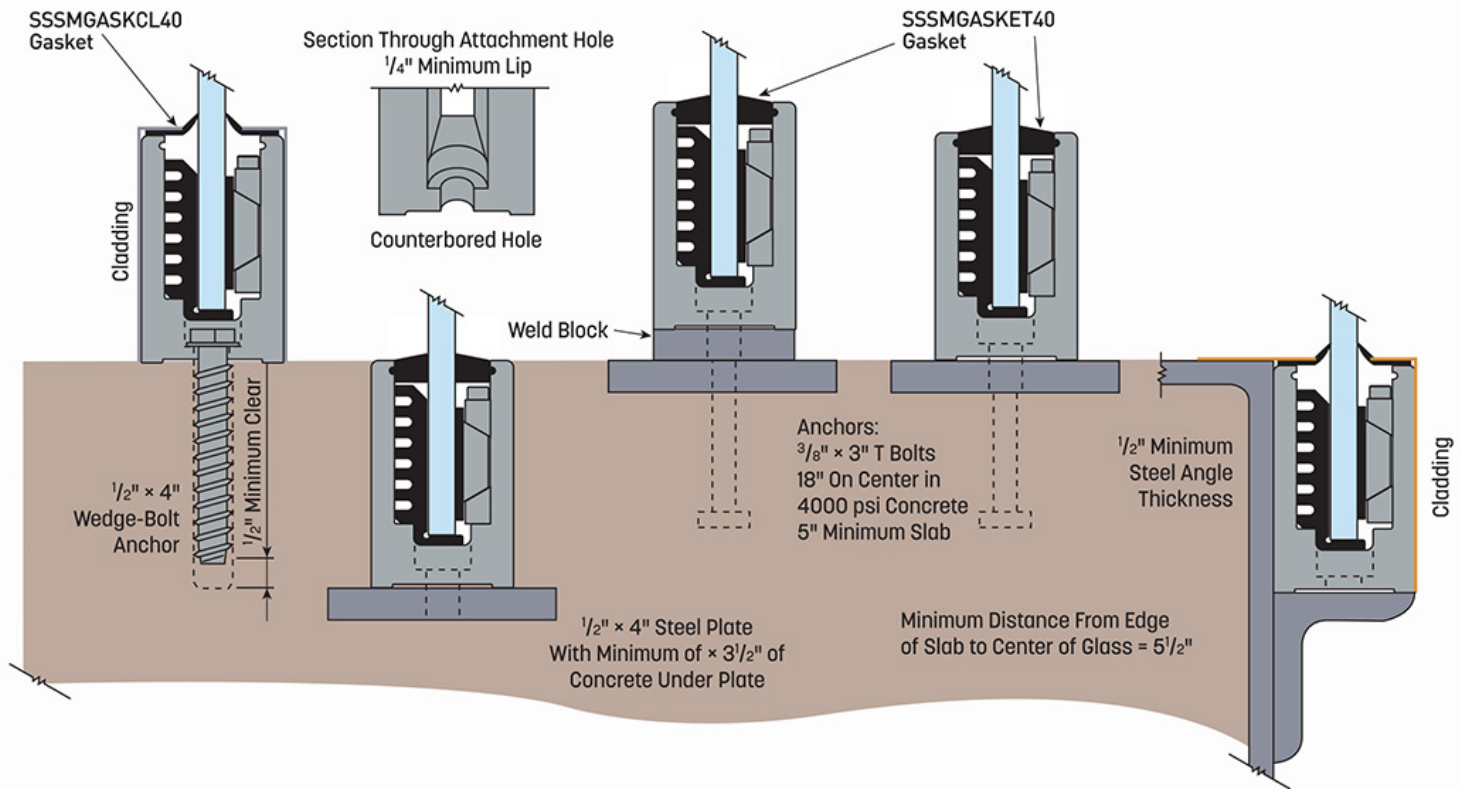




The Wagner PanelGrip® System utilizes a unique locking mechanism of high-strength Aluminum and PVC isolators combined with a specially designed Aluminum Shoe Moulding. When assembled with 1/2" nominal, tempered monolithic or tempered laminated glass, PanelGrip enables the installer to fabricate a structural Glass Railing System with significant reductions in labour and freight costs.

The PanelGrip System was tested per *ASTM E935, Standard Test Methods for Performance of Permanent Railing Systems and Rails for Buildings*.

This test report and installation instructions may be downloaded at www.euroforgings.com.



SHOE MOULDING ATTACHMENT

Attachment of the **Aluminum Shoe Moulding** is critical to the success of any **Glass Railing** installation. These details depict six typical attachment methods. Other methods of attachment are possible, but their integrity would need to be determined by the installer in co-operation with your own engineer. If you choose to mount to wood, consult with an engineer for proper reinforcement of the substrate.



CABLE·RAIL[®] feeney[®] makes it easy by feeney[®]

Attractive ■ Versatile ■ Durable

CHECK THE CABLERAIL ADVANTAGES

- Attractive, affordable, and very low-maintenance.
- Invisible appearance will not impair views.
- Made from strong and weather-tough type 316 stainless steel cable.
- Can be used on new or existing metal or wood railing frames.
- Simple, fast, do-it-yourself installation using pre-fabricated assemblies.
- Special easy-to-use fittings are hidden in the end posts.
- Made from over 70% recycled materials.
- Versatile uses: railings, trellises, fences, exterior, interior, residential, commercial.

10 YEAR WARRANTY

Feeney, Inc. warrants that all CableRail[®] stainless steel cable and connectors shall be free from defects in material and workmanship under normal use, conditions, installation, and maintenance in accordance with product specifications for ten years from date of purchase. The complete text of this warranty is available upon request.

CABLE ASSEMBLY CARE & MAINTENANCE

The protective chromium oxide film on the surface of stainless steel gives it superior corrosion resistance. Properly maintained stainless steel provides excellent luster, strength, and durability. In most applications, stainless steel will not rust or stain even after many years of service, but it is NOT rust or stain proof. When stainless comes in contact with chloride salts, sulfides, or other rusting metals, it can discolour or even rust and corrode. With proper care and maintenance, however, stainless steel can remain beautiful and functional for years to come.

- *Clean stainless with soap and warm water. Never clean with mineral acids or bleaches.*
- *Never use coarse abrasives like sandpaper or steel wool on stainless. Use synthetic Scotch pads instead.*
- *Never leave stainless in contact with iron, steel, or other metals. This can cause rust spots or corrosion.*
- *Always remove stains or rust spots as soon as possible with either soap and water or a brass, silver, stainless, or chrome cleaner.*
- *Periodically inspect cable assemblies for proper tension and re-tension as necessary. This is important.*

DETERMINING WHAT YOU'LL NEED

1. Carefully Review: Read all of the product descriptions, installation instructions, and frame recommendation pages in this catalogue. Contact us should you have any inquiries.

2. Section Frames: Divide your railing frame into sections by determining which corner and end posts will be the cable termination posts. Remember that straight runs should not exceed 50 feet and runs with bends (2 corner bends at most) should not exceed 40 feet.

3. Determine Lengths: Measure the outside lengths of each of your sections from step 2 and select the cable assembly lengths that will fit each section. Be sure that the assemblies are at least 1 foot longer than the length of the section.

4. Calculate Quantities: The number of assemblies depends on your railing design. Remember that each horizontal cable is a separate assembly and that the cables should not be spaced further than 3 inches apart. Calculate the quantities needed for each of your assembly lengths.

5. Check Accessories & Tools: Count up all the end caps, protector sleeves, beveled washers, cutters, lacing needles, drills, saws, and abrasive disks you may need (see Tools Checklist on the Installation Instruction pages).

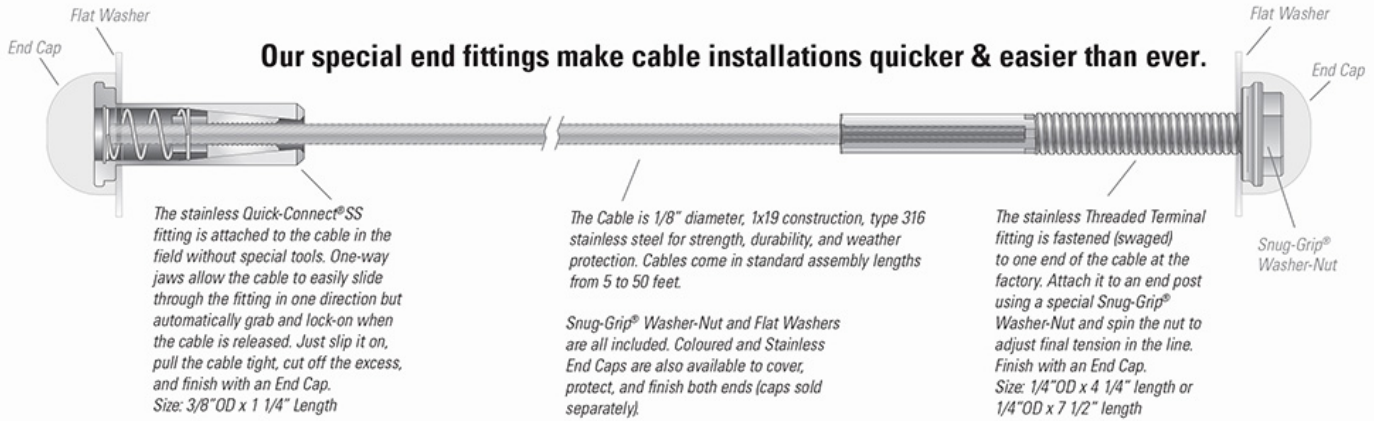
6. Fill Your Order: Visit our office locations to take a look at our CableRail display and order in person or online via our website: www.euroforgings.com.





Easy-to-Install

PRE-FABRICATED CABLE ASSEMBLIES are an attractive, budget-friendly, and low-maintenance alternative to commonly-used metal and wood picket infill. Assemblies use 1/8" diameter high-strength, weather-tough type 316 stainless steel cable and come in a wide range of standard lengths that can be quickly trimmed to size in the field. Each assembly includes special, easy-to-use Threaded Terminal and Quick-Connect®SS end fittings that remain concealed in your end posts. The result: an extremely durable, virtually invisible railing infill that leaves the view open and unimpaired.



CableRail® Assemblies are designed to be used on your own wood or metal frames in either interior or exterior settings.





Step-by-Step Installation for Wood Frames

INSTALLING THE STANDARD 1/8" CABLE SYSTEM IS EASY. JUST FOLLOW THESE SIMPLE STEPS:

TOOLS CHECKLIST

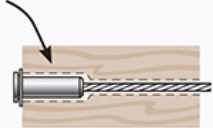
- Safety Glasses
- Work Gloves
- Pencil
- Measuring Tape
- Electric Drill
- 1/4", 5/16" & 3/8" Drill Bits
- Hammer
- Cable Cutters or Cut-Off Disk
- Vise-Grip Pliers
- 7/16" Wrench
- Electric Grinder & Disk
- Hacksaw
- Cable Lacing Needle
- Feeney Tension Gauge

1 Mark drill hole locations on posts.

To minimize cable deflection, space cables no more than 3 inches apart and have a post or vertical spacer at least every 3 feet. See Wood Frame Requirements on opposite page.

2 Drill 5/16" holes in one end post for the Threaded Terminal fitting, 3/8" holes in the other end post for the Quick-Connect® fitting, and 1/4" holes in all other posts.

If desired, the Quick-Connect® posts may be through-drilled with a 1/4" bit and then counterbored to 1 1/2" deep with a 3/8" bit to countersink the fitting.



3 Insert Protector Sleeves at necessary locations. Tap in until flush.

See Special Parts section below.

4 Insert the Threaded Terminal through the Terminal end post and attach a flat washer and Snug-Grip® Washer-Nut. Spin nut so the threads engage (2-3 full turns).

For angled terminations, use Beveled Washers. See Special Parts section below.

5 Lace the free end of the cable through the intermediate posts and Quick-Connect® end post. Slide on a flat washer and Quick-Connect® fitting until they rest against the face of the post.

Use a Lacing Needle if snagging becomes a problem.

6 Hold the Quick Connect® fitting with one hand and pull the cable tight with the other. The fitting automatically locks when you release the cable.

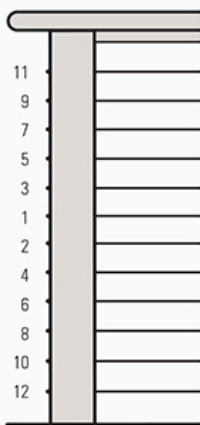
7 Tension the cables by holding the Threaded Terminal shaft with Vise-Grip pliers and spinning the Snug-Grip® Washer-Nuts with a wrench. A Feeney Tension Gauge may be used to check uniform tension. See tensioning sequence diagram at bottom left.

8 Saw off the excess threads as close to the Snug-Grip® Washer-Nut as possible. Touch up any sharp edges with electric grinder. The special Snug-Grip® threads prevent the nut from loosening.

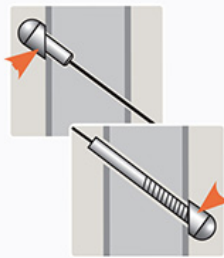
9 Use cable cutters or electric grinder with cut-off disk to trim the excess cable. Grind flush the exposed cable ends with an electric grinder.

10 Snap on end caps over the exposed Quick-Connect® fittings and the Snug-Grip® Washer-Nuts. You're done.

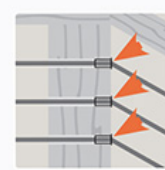
Recommended cable tensioning sequence



SPECIAL PARTS FOR SPECIAL SITUATIONS



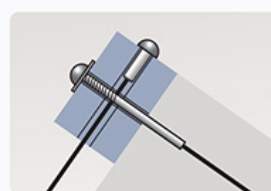
Use Beveled Washers for stair termination posts with angled holes. Available for both Threaded Terminal & Quick-Connect® fittings. Always install the Quick-Connect® fitting in top stair post to prevent rain water from running down the cable into the fitting.



Protector Sleeves prevent abrasion at angled transitions on wood posts (e.g., stair transition posts or outside faces of double corner posts). Fits 1/4" diameter drill holes.

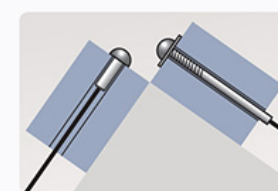
CABLES CAN EITHER TERMINATE OR RUN THROUGH CORNER POSTS

TERMINATING



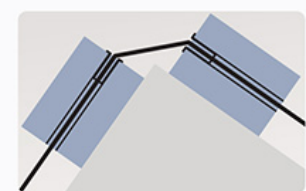
SINGLE WOOD POST

DOUBLE WOOD POSTS



DOUBLE WOOD POSTS

CONTINUOUS



DOUBLE WOOD POSTS

Offset drill holes at least 1/2"



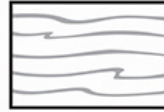
Wood Frame Requirements

FRAMES NEED TO SUPPORT THE TENSION OF PROPERLY INSTALLED CABLES.

They need to be designed and built strong enough for the end and corner posts to support a load in excess of 300 lbs. for each cable. Here are some basic guidelines to help you prepare your railing frames for cable infill.

MINIMUM POST SIZES

END AND CORNER POSTS: The end and corner posts are the cable termination/transition posts and support the full load of the taut cables; therefore, the minimum recommended size for these critical posts is standard 4x6 wood.



4x6 WOOD
 3 1/2" wide, 5 1/2" thick

INTERMEDIATE POSTS: The remaining intermediate posts do not support any tension load since the cables pass straight through, so they can be sized as required for cap rail support or for code.

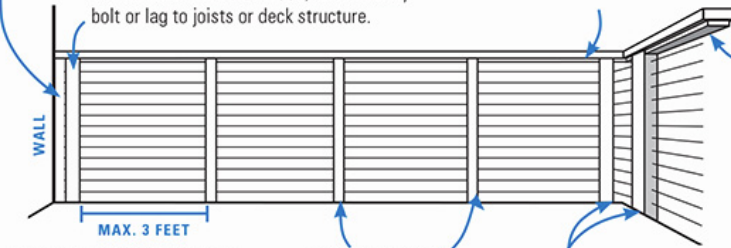
The Basic Frame Design

SPACING FROM WALLS:

Always set end posts 3 to 4 inches away from the house/wall face to allow access for attaching cable end fittings.

END POSTS:

Use minimum 4x6 size wood, and securely bolt or lag to joists or deck structure.



CAP RAIL:

Always include a strong, rigid cap rail that is securely fastened to all posts. Minimum recommended size is 2x6 wood. Set railing height per local code.

CABLE

SPACING: Maximum 3 inches apart.

WOOD BLOCKING:

Underneath the cap rail, attach minimum 1" x 4" wood blocking between posts to provide additional lateral reinforcement to the posts so that they won't pull out of plumb when the cables are tensioned.

MAXIMUM POST SPACING:

Space all posts and vertical spacers (see below) a maximum of 3 feet apart to minimize any deflection that may occur if the cables are ever forced apart.

INTERMEDIATE POSTS:

Size all intermediate posts as required for cap rail support strength or for code.

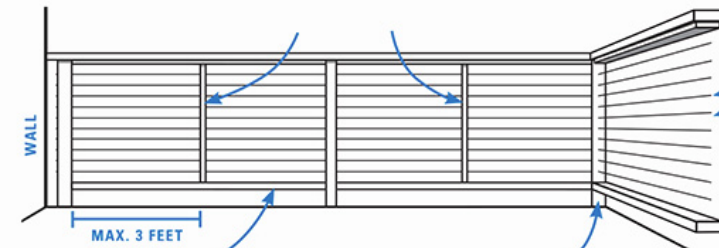
DOUBLE CORNER POSTS:

If possible, use double corner posts to allow the cable to run continuously through the corners without terminating (also see single corner post option below). Securely bolt or lag posts to joists or deck structure, and use minimum 4x6 size wood.

And Some Other Options

VERTICAL SPACERS (OPTIONAL):

Slender spacers may be used instead of some of the larger intermediate posts to achieve a more open railing design. These are non-structural members and are only intended to maintain cable spacing and minimize deflection. Typical examples are 2" x 2" wood strips, copper tubing, or Feeney Intermediate Pickets (see accessories on page A28). Attach them to the cap rail and either the foot rail, deck surface, or joists.



FOOT RAILS (OPTIONAL):

Recommend minimum 2x4 size wood spaced no more than 4 inches (or as per code) above the deck surface.

SINGLE CORNER POST (OPTIONAL):

Cables must be terminated at the corners if single posts are used. Use minimum 4x6 size wood and securely bolt or lag to joists or deck structure. Be sure to offset the cable drill holes by at least 1/2" to allow internal clearance for the cable fittings.

CABLE

SPACING: Maximum 3 inches apart.

IMPORTANT NOTE

For railings, we recommend spacing the cables no more than 3 inches apart and placing posts or vertical members no more than 3 feet apart.

Please note that since building codes vary by province and city, our recommendations may not comply with code requirements in all areas.

Always consult with your local building department before starting your project.

CONSTRUCTION CHECKLIST

- Space cables maximum 3 inches apart
- Space posts/verticals maximum 3 feet apart
- Use minimum 4x6 size wood for all end and corner posts
- Securely fasten all posts and cap rails
- Carefully plan all termination and corner posts for proper clearance, positioning, and maximum cable run lengths
- Straight runs of cable (no turns/dips) should not exceed 50 feet; runs with corner bends (2 bends at most) should not exceed 40 feet

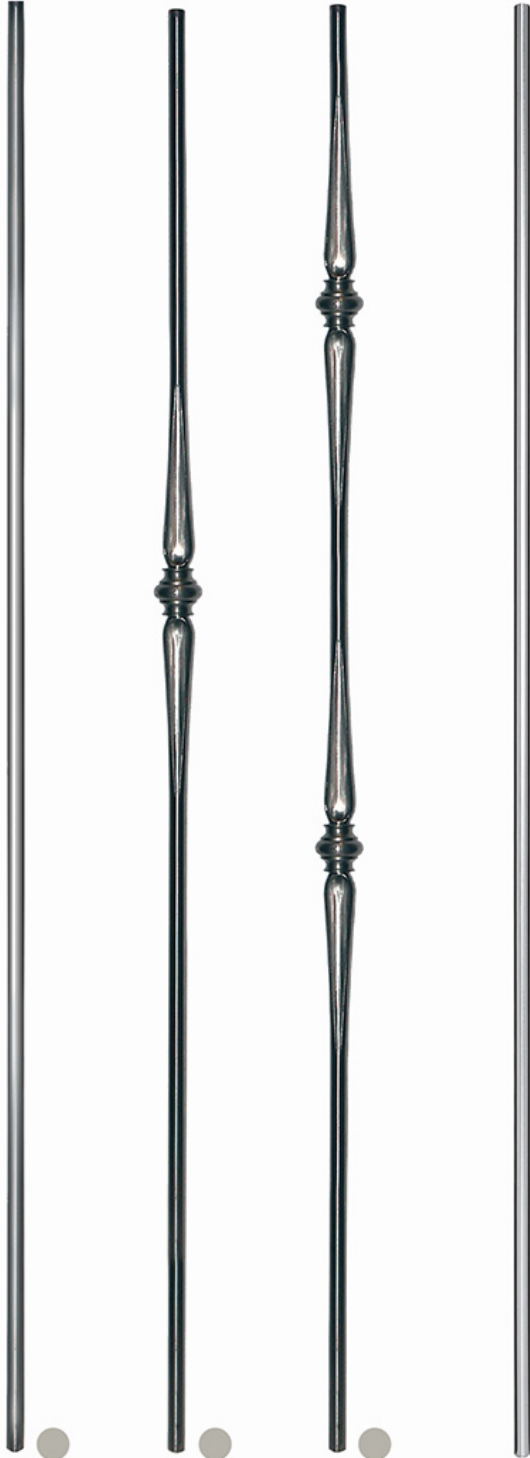


Scan to watch our installation video



STAINLESS BALUSTERS & ACCESSORIES

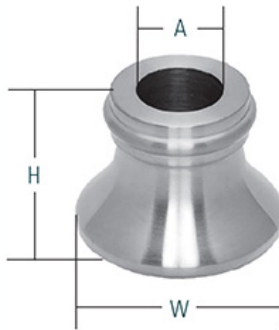
Round



1422/PLAIN44 12mm dia. 44' length
1422/1S/44 12mm dia. 44' length
1422/2S/44 12mm dia. 44' length

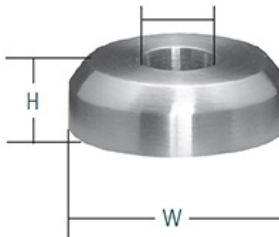
↑
SSB1235T
SSB5836S
SSB5835T
SSB3435T

Accessories

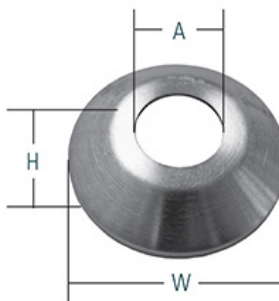


	<u>A</u>	<u>W</u>	<u>H</u>
E12SS*	1/2"	1 1/4"	1"
E916SS	9/16"	1 1/4"	1"
E58SS	5/8"	1 1/4"	1"
E58SSSET	5/8"	1 1/4"	1"

* Also works with 12mm.



	<u>A</u>	<u>W</u>	<u>H</u>
SSSHRD12	1/2"	39mm	1/2"
SSSHRD916	9/16"	39mm	1/2"
SSSHRD58	5/8"	39mm	1/2"



	<u>A</u>	<u>W</u>	<u>H</u>
SSC12	1/2"	44mm	9mm
SSC916	9/16"	44mm	9mm
SSC58	5/8"	44mm	9mm
SSC34	3/4"	44mm	9mm

NOTE

For 5/8" and 9/16" collars, please refer to page A40.

	<u>Diameter</u>	<u>Length</u>
○	1/2"	35"
●	5/8"	36"
○	5/8"	35"
○	3/4"	35"

	<u>Diameter</u>	<u>Length</u>
○	1/2"	44"
●	5/8"	44"
○	5/8"	44"
○	3/4"	44"



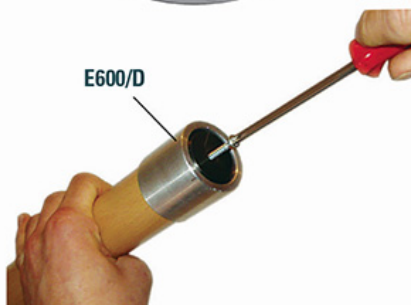
WOODEN FITTINGS





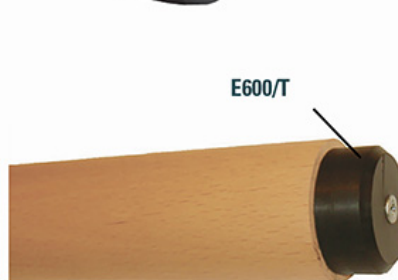
<p>Unfinished wood handrails - 16ft. Can be stained.</p>  <p>OAK WHSS-O 45mm OD</p>	<p>Unfinished wood handrails - 16ft. Can be stained.</p>  <p>HARD MAPLE WHSS-HM 45mm OD</p>	<p>Finished wood handrails - 10ft.</p>  <p>BEECH E690/3000 45mm OD</p>	<p>Finished wood handrails - 10ft.</p>  <p>WENGE E692/3000 45mm OD</p>
<p>Round end terminal</p>  <p>E4260-SS 45mm OD</p>	<p>Flat end terminal</p>  <p>E4265-SS 45mm OD</p>	<p>90° curved connector</p>  <p>E600-SS 45mm OD</p>	<p>90° angle connector</p>  <p>E601-SS 45mm OD</p>
<p>Straight connector</p>  <p>E603-SS 45mm OD</p>	<p>Rotating connector</p>  <p>E604-SS 45mm OD</p>	<p>Pivotable connector</p>  <p>E6070-SS 45mm OD</p>	

Drill gauge for wooden handrails
E600/D



E600/D

plastic support for fittings
E600/T

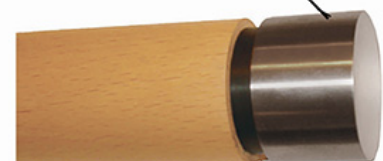


E600/T



high gluing adhesive
SSRK-1500

E4265-SS





Step-by-Step Installation for Metal Frames

INSTALLING THE STANDARD 1/8" CABLE SYSTEM IS EASY. JUST FOLLOW THESE SIMPLE STEPS:

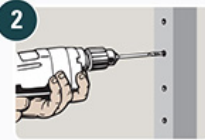
TOOLS CHECKLIST

- Safety Glasses
- Work Gloves
- Pencil
- Measuring Tape
- Electric Drill
- Drill Bits
- Hammer
- Cable Cutters
- Vise-Grip Pliers
- 7/16" Wrench
- Electric Grinder with Grinding Disk & Cut-Off Disk
- Hacksaw or Electric Reciprocating Saw
- Cable Lacing Needle
- Feeney Tension Gauge



1 Mark drill hole locations on posts.

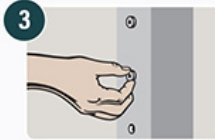
To minimize cable deflection, space cables no more than 3 inches apart and have a post or vertical spacer at least every 3 feet. Also, straight runs of cable (no turns/dips) should not exceed 50 feet. Runs with corners (2 bends at most) should not exceed 40 feet. See Metal Frame Requirements on opposite page.



2 Drill holes in posts. Hole diameter depends on cable size and type of fitting. See below.

Cable Size	Threaded Term. Post	Intermediate Posts	Quick-Connect Post
1/8"	5/16"	1/4"	3/8"

If desired, Quick-Connect®SS posts may be through-drilled at 1/4" and then countersunk with the recommended Quick-Connect®SS drill to countersink the fitting.

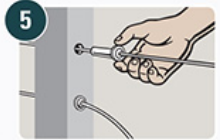


3 If using Isolation Bushings or Grommets (optional), insert them into their corresponding post holes.

Note: If using Isolation Bushings, call for special drill hole sizes.



4 Insert the Threaded Terminal through the Terminal end post and attach a flat washer and Snug-Grip® Washer-Nut. Spin the nut 2 full turns. Strong resistance will be felt as the Snug-Grip® threads engage, so hold the Terminal shaft with pliers.



5 Lace the free end of the cable through the intermediate posts and Quick-Connect®SS end post. Slide on a flat washer and Quick-Connect®SS fitting until they rest against the face of the post.

Use a Lacing Needle if snagging becomes a problem.

Use Beveled Washers for stair termination posts with angled holes. Available for Threaded Terminal and Quick-Connect®SS fittings. Always install the Quick-Connect®SS fittings in the top stair post to prevent rain water from running down the cable into the fittings.



6 Hold the Quick-Connect®SS fitting with one hand and pull the cable tight with the other. The fitting automatically locks when you release the cable.



7 Tension the cables by holding the Threaded Terminal shaft with Vise-Grip pliers and spinning the Snug-Grip® Washer-Nuts with a wrench. A Feeney Tension Gauge may be used to check uniform tension. See tensioning sequence diagram at bottom left.



8 Use hacksaw, reciprocating saw, or electric grinder with cut-off disk to saw off the excess threads as close to the Snug-Grip® Washer-Nut as possible. Touch up with electric grinder. The special Snug-Grip® threads prevent the nut from loosening.



9 Use cable cutters or electric grinder with cut-off disk to trim the excess cable. Grind flush the exposed cable ends with an electric grinder.



10 Snap on end caps over the exposed Quick-Connect®SS fittings and the Snug-Grip® Washer-Nuts. You're done.

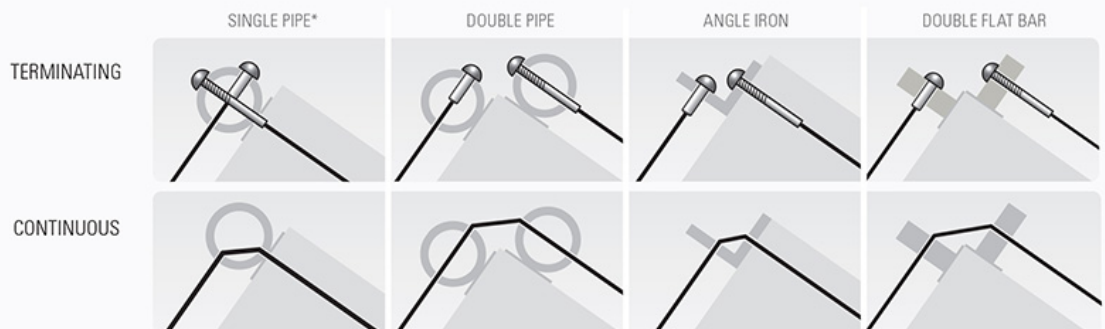
SSCLEANER can be applied for lasting protection of stainless steel cable and parts.

Important Note: If using electric or pneumatic tools to tighten the Washer-Nuts, spin the nuts very slowly; otherwise, they will heat up, causing the threads to seize.

Recommended cable tensioning sequence



CABLES CAN EITHER TERMINATE OR RUN THROUGH CORNER POSTS



*Offset drill holes at least 1/2" if you choose to have cables terminating at a single pipe post.



Metal Frame Requirements

FRAMES NEED TO SUPPORT THE TENSION OF PROPERLY INSTALLED CABLES.

They need to be designed and built strong enough for the end and corner posts to support a load in excess of 300 lbs. for each cable. Here are some basic guidelines to help you prepare your railing frames for cable infill.

MINIMUM SIZES FOR ALL CORNER AND END POSTS

All other posts should be sized as required for cap rail support strength or for code



FLAT BAR
2" wide, 1" thick



ANGLE IRON
2" wide, 1/2" thick

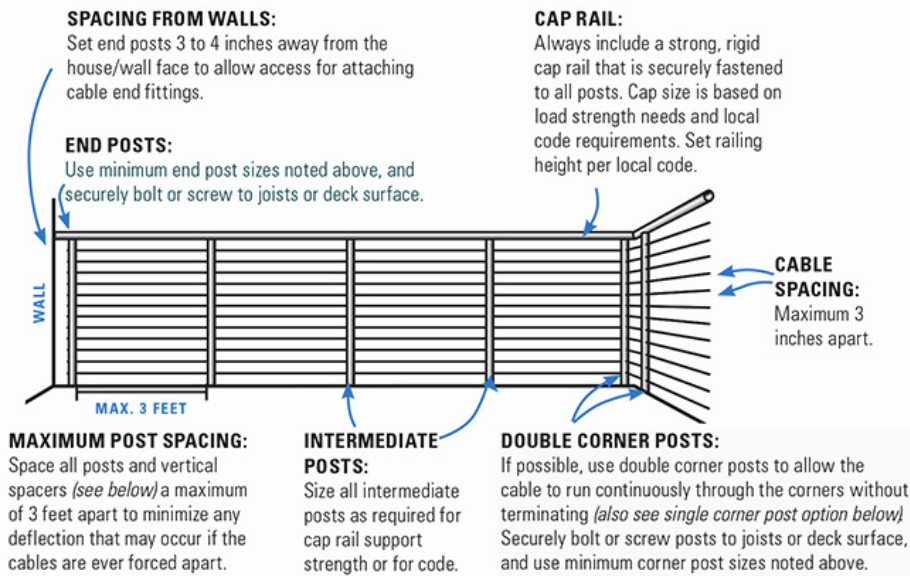


EXTRA STRONG PIPE
1 1/2" ID, 1 7/8" OD



SQUARE TUBE
2" wide, 1/4" wall

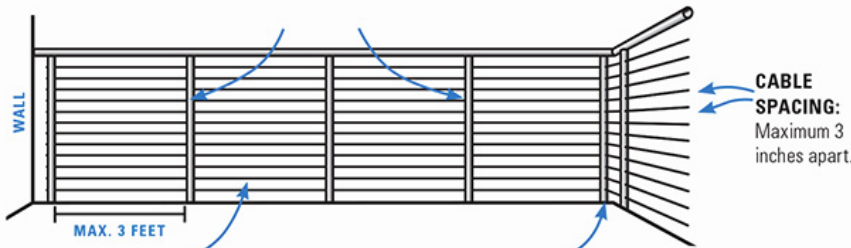
The Basic Frame Design



And Some Other Options

VERTICAL SPACERS (OPTIONAL):

Slender spacers may be used instead of some of the larger intermediate posts to achieve a more open railing design. These are non-structural members and are only intended to maintain cable spacing and minimize deflection. Examples are 1" metal tubing or 1/4" flat bar. Attach spacers to the cap rail and either the foot rail, deck surface, or joists.



FOOT RAILS (OPTIONAL):

Foot rails should be spaced no more than 4 inches above the deck surface, or as required by local code, and should be sized as needed for support strength and design appearance.

SINGLE CORNER POST (OPTIONAL):

In most cases with single corner posts, cables must be terminated. Exceptions are angle iron posts or tubular metal posts. When terminating on a single corner post, be sure to offset the drill holes at least 1/2" to allow internal clearance for the cable fittings. Use minimum end post sizes noted above and securely bolt or screw to joists or deck surface.

IMPORTANT NOTE

For railings, we recommend spacing the cables no more than 3 inches apart and placing posts or vertical members no more than 3 feet apart.

Please note that since building codes vary by province and city, our recommendations may not comply with code requirements in all areas.

Always consult with your local building department before starting your project.

CONSTRUCTION CHECKLIST

- Space cables maximum 3 inches apart
- Space posts/verticals maximum 3 feet apart
- Observe minimum end/corner post sizes shown above
- Securely fasten all posts and cap rails
- Carefully plan all termination and corner posts for proper clearance, positioning, and maximum cable run lengths
- Straight runs of cable (no turns/dips) should not exceed 50 feet; runs with corner bends (2 bends at most) should not exceed 40 feet



Scan to watch our installation video



Square



SSBREC1235
1 1/2" x 1/2"
35" length

PTM44SS
1/2" square
44" length

SSBREC1244
1 1/2" x 1/2"
44" length

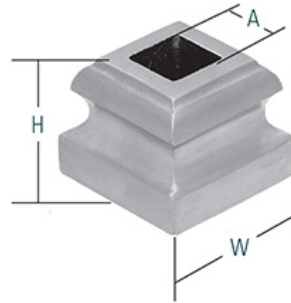
↑
SSBSQ1235S
SSBSQ1235T
SSBSQ5835T
SSBSQ3435T

Size **Length**
1/2" 35"
1/2" 35"
5/8" 35"
3/4" 35"

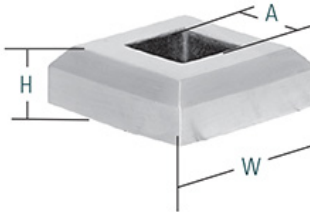
SSBSQ1244S
SSBSQ1244T
SSBSQ5844T
SSBSQ3444T

Size **Length**
1/2" 44"
1/2" 44"
5/8" 44"
3/4" 44"

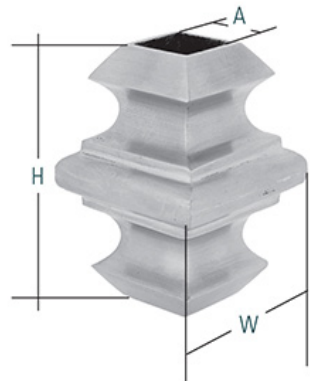
Accessories



8524SS12 **A** **W** **H**
1/2" 1 1/4" 1"



SSSH1239 **A** **W** **H**
1/2" 39mm 1/2"
SSSH5839 5/8" 39mm 1/2"
SSSH3445 3/4" 45mm 1/2"

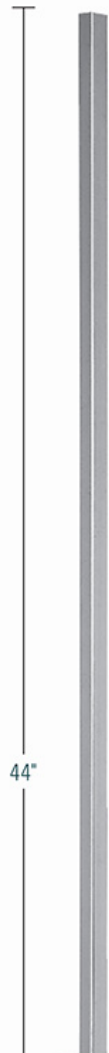


683SS12 **A** **W** **H**
1/2" 1 7/16" 2"



1/2"

Tubular | 1/2" Square | Drilled & Tapped



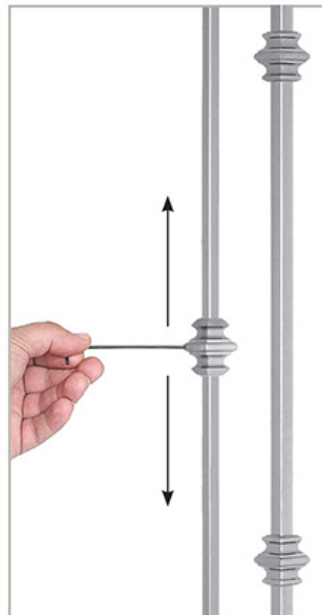
Part #
SSBSQ12DTLND **Height**
44"



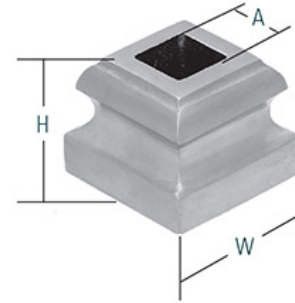
Part #
SSBSQ12DT43A **Height**
44"



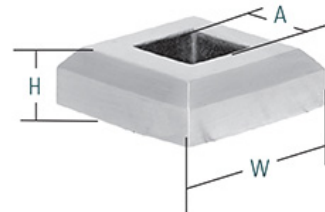
Part #
SSBSQ12DT48A **Height**
44"



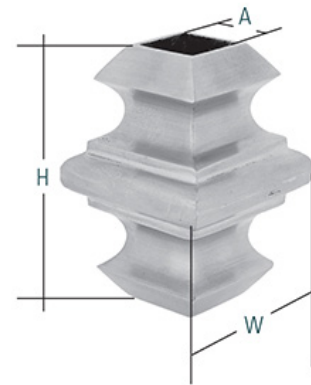
Accessories



8524SS12 **A** 1/2" **W** 1 1/4" **H** 1"



SSSH1239 **A** 1/2" **W** 39mm **H** 1/2"



683SS12 **A** 1/2" **W** 1 7/16" **H** 2"



STAINLESS BALUSTERS WITH WOOD

Wood Ends



WE9HM
Hard Maple
 $\frac{H}{9''}$ $\frac{W}{1\frac{1}{2}''}$



WE90
Oak
 $\frac{H}{9''}$ $\frac{W}{1\frac{1}{2}''}$



WE7DHM
Hard Maple
 $\frac{H}{7''}$ $\frac{W}{1\frac{1}{2}''}$



WE7DO
Oak
 $\frac{H}{7''}$ $\frac{W}{1\frac{1}{2}''}$

Shoes & Collars



E58SS
 $\frac{A}{5/8''}$ $\frac{H}{1''}$



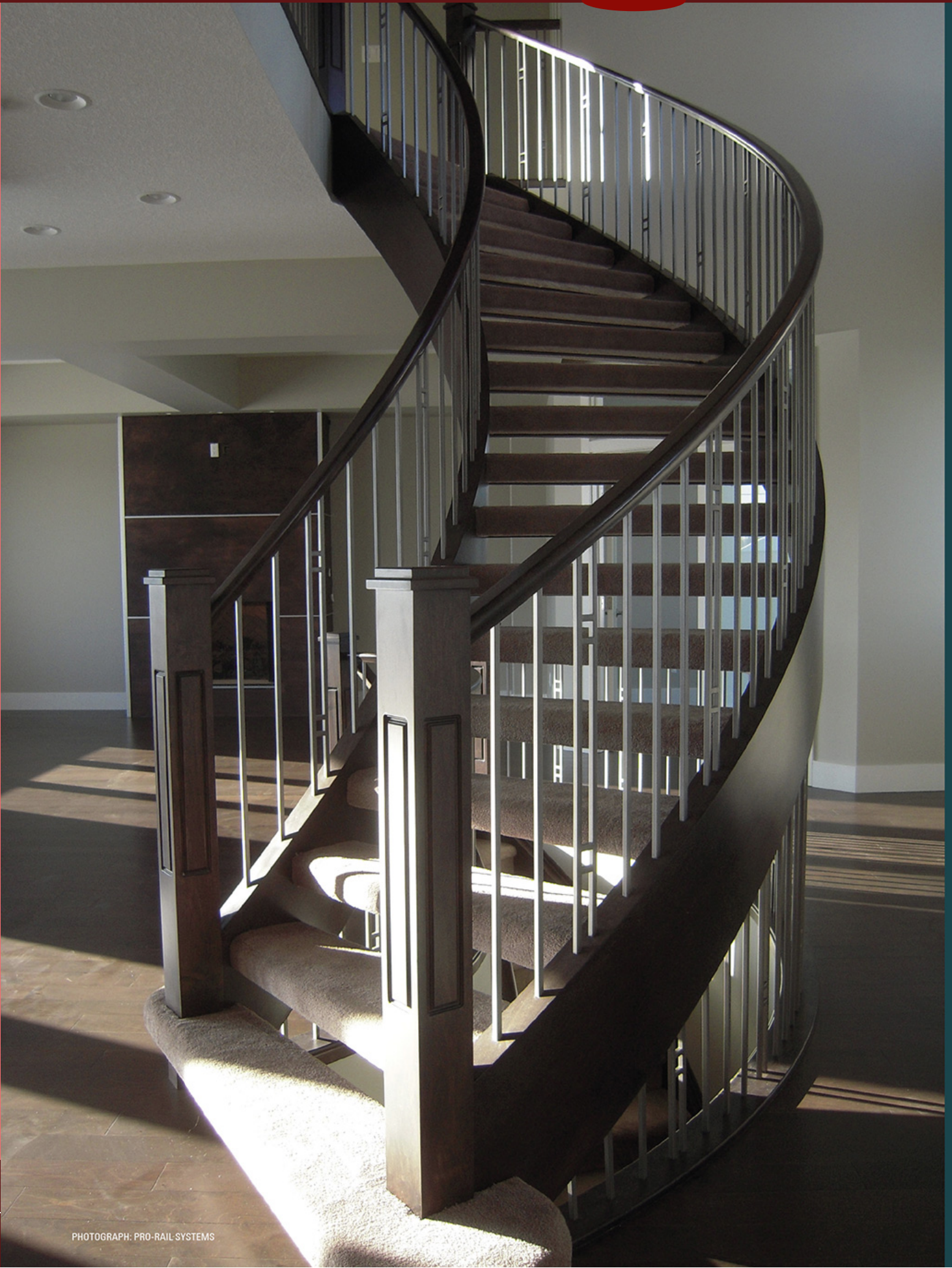
E58SSSET
 $\frac{A}{5/8''}$ $\frac{H}{1''}$



683RSS58
 $\frac{A}{5/8''}$ $\frac{H}{1\frac{5}{16}''}$
683RSS916
 $\frac{A}{9/16''}$ $\frac{H}{1\frac{5}{16}''}$

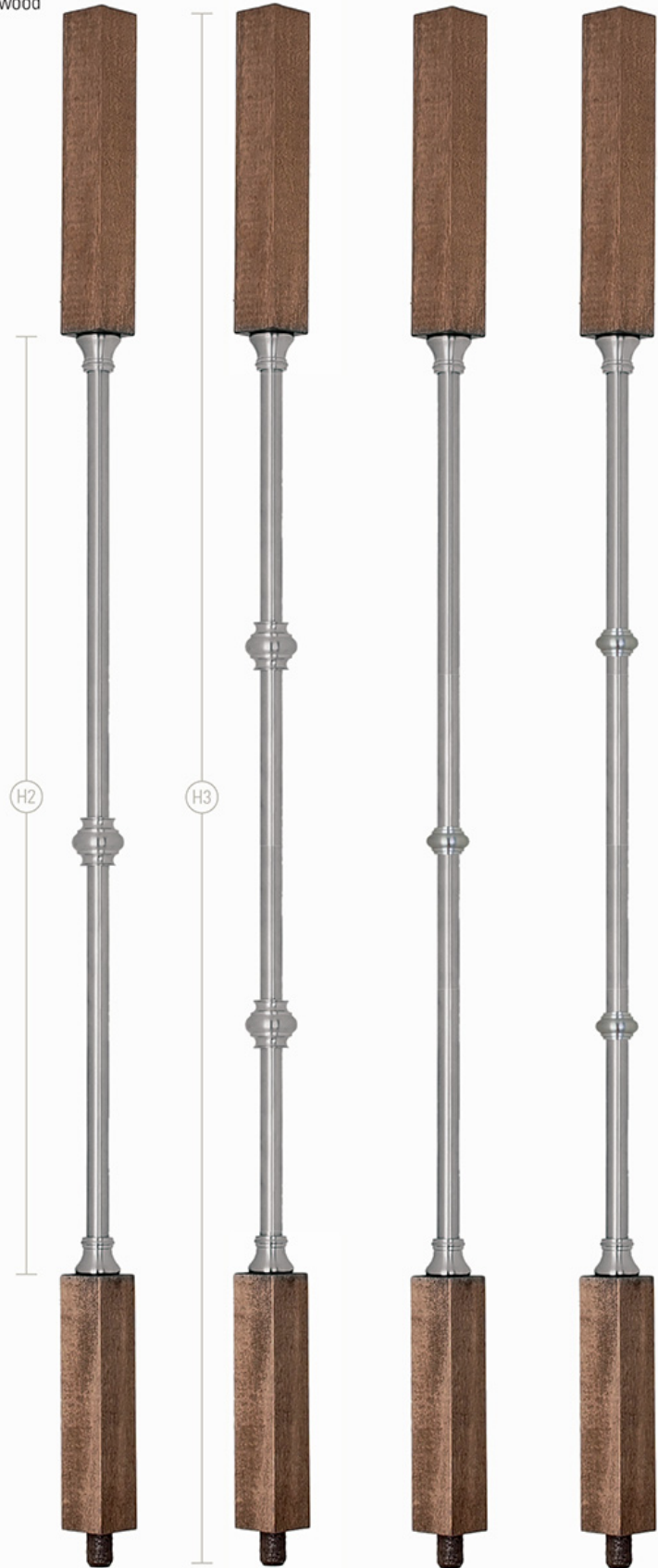


E9481SS58
 $\frac{A}{5/8''}$ $\frac{H}{3/4''}$
E9481SS916
 $\frac{A}{9/16''}$ $\frac{H}{3/4''}$



STAINLESS BALUSTERS & ACCESSORIES

Rod & Combinations

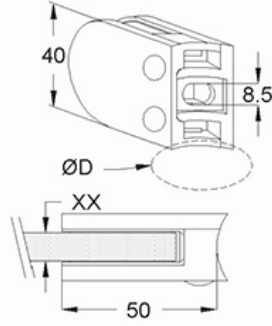


	<u>H1*</u>	<u>H2*</u>	<u>H3*</u>
SS5822HB	22"	19"	35"
SS5825HB	25"	22"	38"
SS5829HB	29"	26"	42"

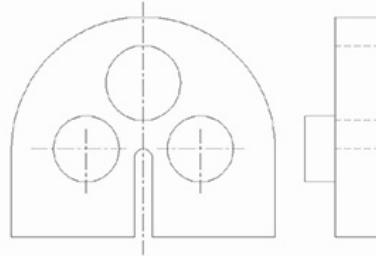
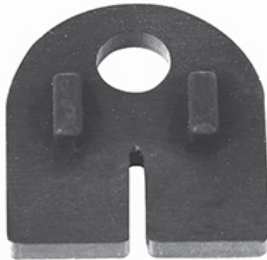
*H1 - Height of stainless steel bar

*H2 - Height of stainless steel bar after assembly with wood ends

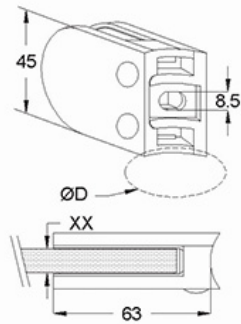
*H3 - Combined height of stainless steel bar with wood ends



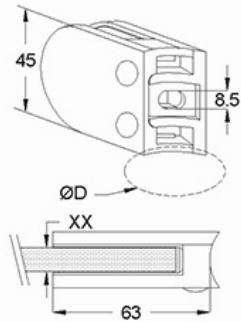
AISI316	D (tube)
SSGC101XX16S	flat
SSGC106XX16S	38.1mm
SSGC103XX16S	42.4mm



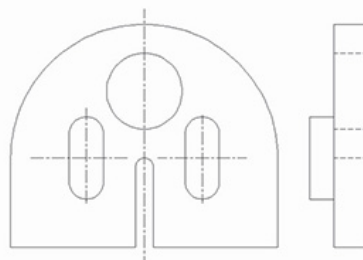
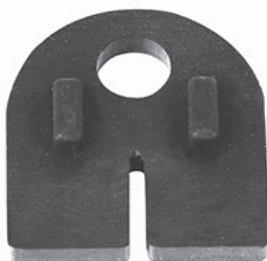
	XX (for glass)
SSGR10001RBN	6mm
SSGR10002RBN	8mm
SSGR10003RBN	10mm



AISI316	D (tube)
SSGC201XX16S	flat
SSGC206XX16S	38.1mm
SSGC203XX16S	42.4mm
SSGC207XX16S	50.8mm



ZAMAK	D (tube)
SSGC201XXZMS	flat
SSGC206XXZMS	38.1mm
SSGC203XXZMS	42.4mm
SSGC207XXZMS	50.8mm



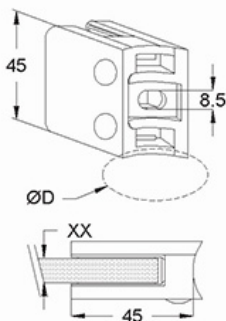
	XX (for glass)
SSGR20001RBN	6mm
SSGR20002RBN	8mm
SSGR20003RBN	10mm
SSGR20004RBN	12mm



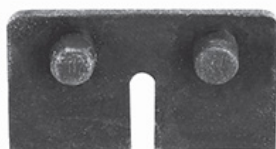
GLASS CLIPS & GLASS RUBBERS



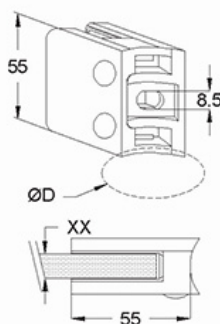
ZAMAK is a family of alloys with a base metal of zinc and alloying elements of aluminium, magnesium, and copper. The addition of copper and magnesium provides it with diverse properties and allows it to cast. Zamak alloys exhibit an excellent combination of cost, strength, ductility, impact strength, and finishing characteristics.



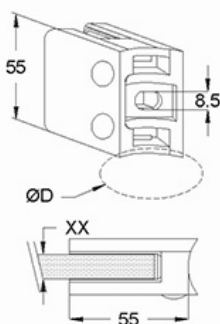
AISI316	D (tube)
SSGC301XX16S	flat
SSGC306XX16S	38.1mm
SSGC303XX16S	42.4mm



	XX (for glass)
SSGR30001RBN	6mm
SSGR30002RBN	8mm
SSGR30003RBN	10mm

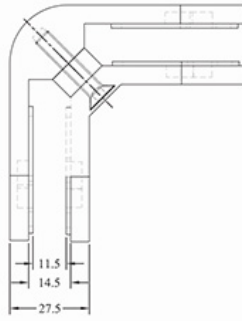


AISI316	D (tube)
SSGC431XX16S	flat
SSGC433XX16S	42.4mm
SSGC437XX16S	50.8mm

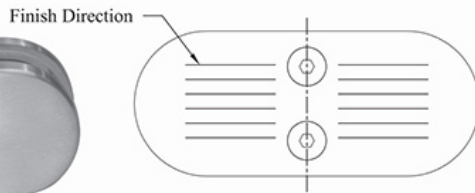


ZAMAK	D (tube)
SSGC431XXZMS	flat
SSGC433XXZMS	42.4mm
SSGC437XXZMS	50.8mm

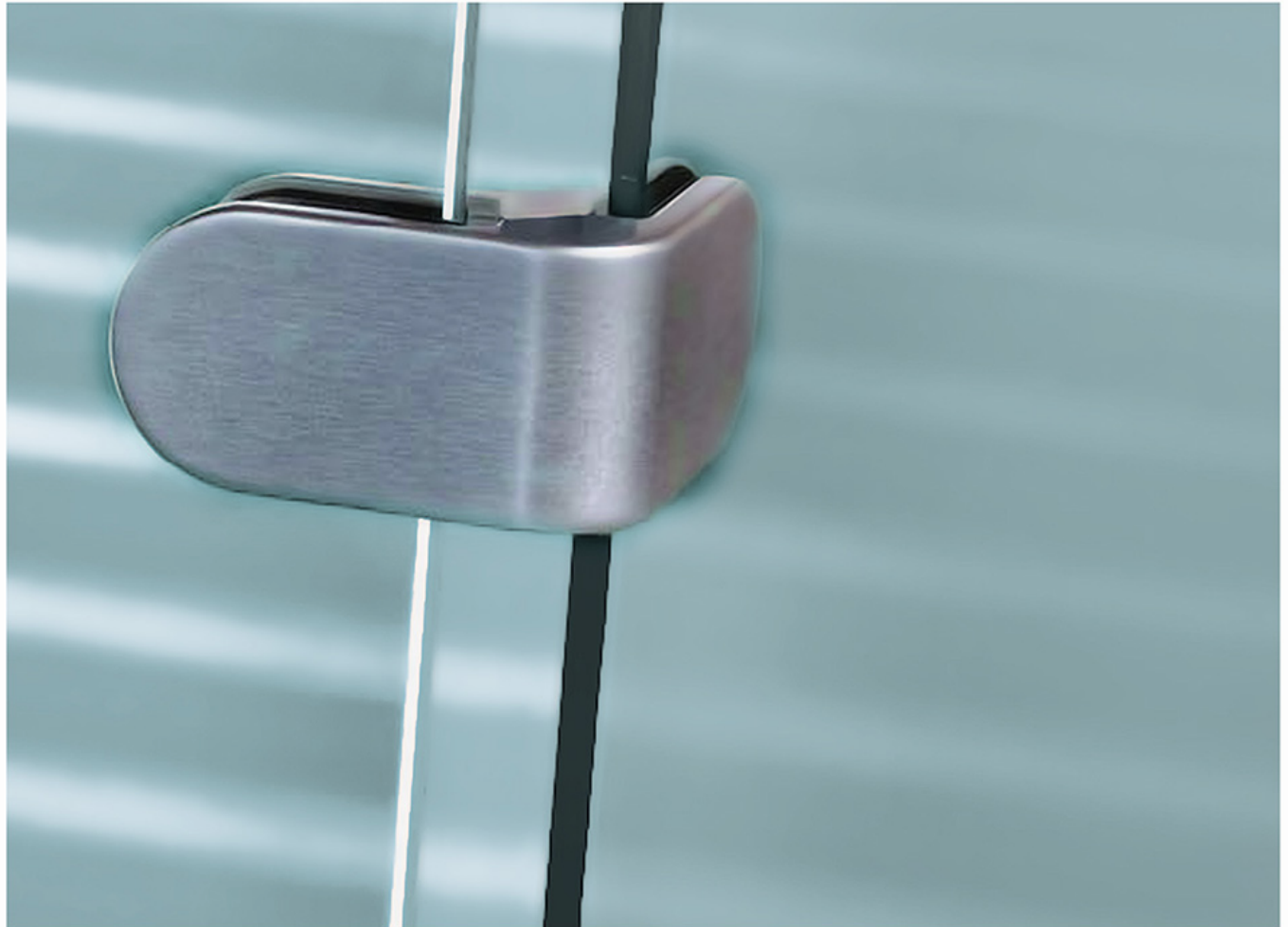




	Angle (glass to glass)	Dimensions	Glass Thickness
SSGC014XX16S Ⓢ	90°	45mm	8-12mm



	Angle (glass to glass)	Dimensions	Glass Thickness
SSGC015XX16S Ⓢ	180°	45 x 107mm	8-12mm

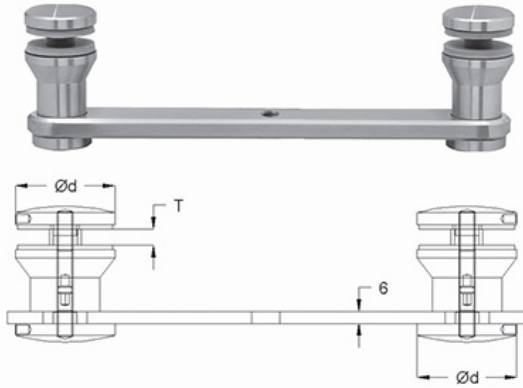




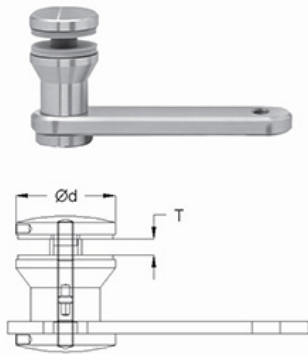




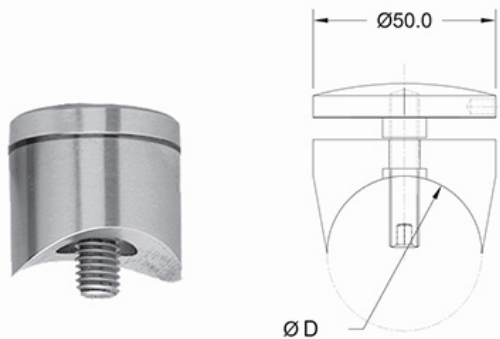
BALUSTER SPIDER SYSTEM



	T (glass thickness)
SSGB0020004S	8-20mm



	T (glass thickness)
SSGB0200004S	8-20mm

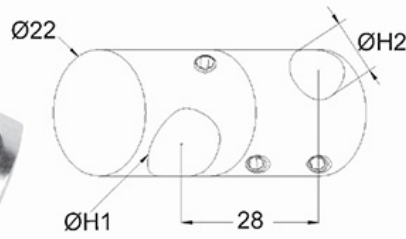


	D (for tube)
SSGB0050404S	38.1mm
SSGB0050204S	42.4mm
SSGB0050504S	50.8mm

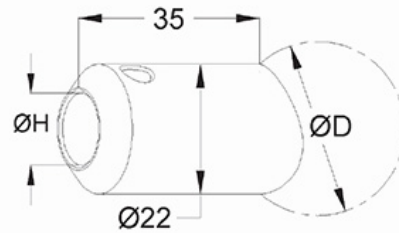
**M8 screw for mounting included*



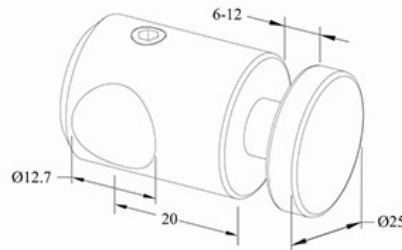
ROD HOLDERS



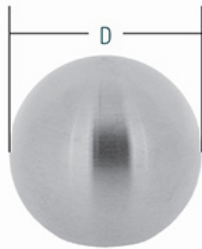
	H1 (for rod)	H2 (for rod)
SSSC0040404S	12.7mm	12.7mm



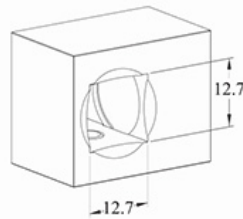
	D (for tube)	H (for rod)
SSHD5030604S	42.4mm	6mm
SSHD5030104S	42.4mm	10mm
SSHD5030404S	42.4mm	12.7mm



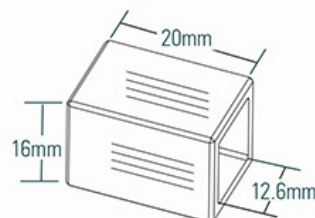
	(glass thickness)
SSGH0250204S	for 6-8mm glass only



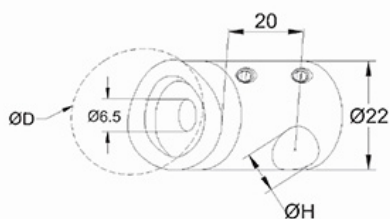
	D	H (for rod)
SSBS0250704S	1"	1/2"



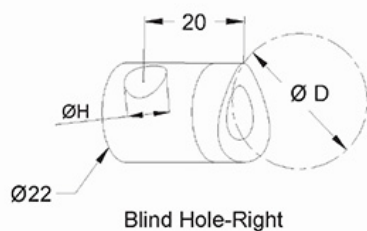
		H (for rod)
SSZH4012704S	flat	1/2"



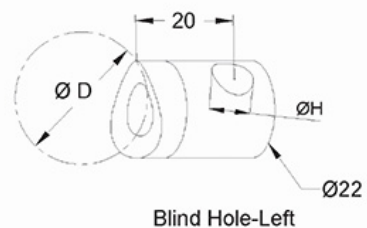
		H (for rod)
SSZP0404204S	flat	1/2"



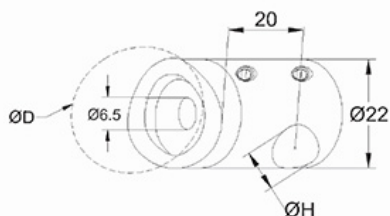
	D (for tube)	H (for rod)
SSHD0060204S	38.1mm	12mm
SSHD0060404S	38.1mm	12.7mm
SSHD0030204S	42.4mm	12mm
SSHD0030404S	42.4mm	12.7mm
SSHD0070404S	50.8mm	12.7mm



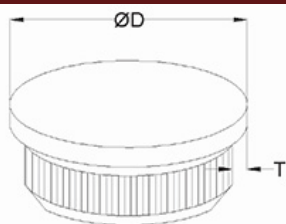
	D (for tube)	H (for rod)
SSHD3110404S	flat	12.7mm
SSHD3130404S	42.4mm	12.7mm



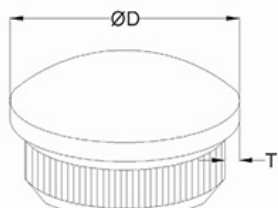
	D (for tube)	H (for rod)
SSHD3210404S	flat	12.7mm
SSHD3230404S	42.4mm	12.7mm



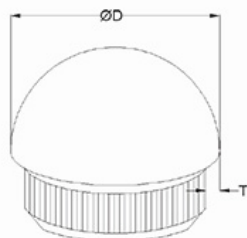
	D (for tube)	H (for rod)
SSHD0010104S	flat	10mm
SSHD0010204S	flat	12mm
SSHD0010404S	flat	12.7mm



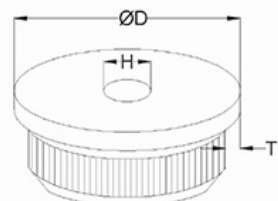
	D (tube)	T (tube thickness)
SSEP0012404S	38.1mm	1.5mm
SSEP0010204S	42.4mm	2.0mm
SSEP0010216S	42.4mm	2.0mm
SSEP0012504S	50.8mm	1.5mm



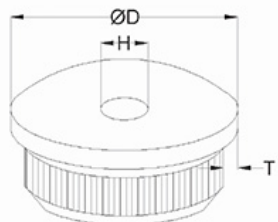
	D (tube)	T (tube thickness)
SSEP0032404S	38.1mm	1.5mm
SSEP0030204S	42.4mm	2.0mm
SSEP0032504S	50.8mm	1.5mm



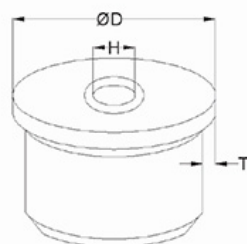
	D (tube)	T (tube thickness)
SSEP0072404S	38.1mm	1.5mm
SSEP0070204S	42.4mm	2.0mm
SSEP0072504S	50.8mm	1.5mm



	D (tube)	T (tube thickness)	H (thread)
SSEP0022404S	38.1mm	1.5mm	M8
SSEP0020204S	42.4mm	2.0mm	M8



	D (tube)	T (tube thickness)	H (thread)
SSEP0042404S	38.1mm	1.5mm	M8
SSEP0040204S	42.4mm	2.0mm	M8
SSEP0042504S	50.8mm	1.5mm	M8



	D (tube)	T (tube thickness)	H (thread)
SSEP0062404S	38.1mm	1.5mm	M8
SSEP0060204S	42.4mm	2.0mm	M8
SSEP0062504S	50.8mm	1.5mm	M8
SSEP0060504S	50.8mm	2.0mm	M8



END CAPS & POST CAPS

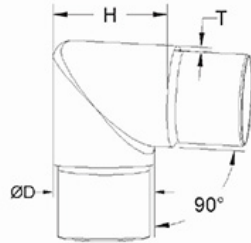




ELBOWS



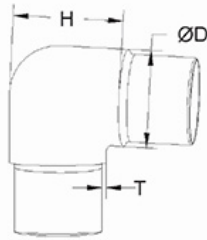
Sharp



	D (tube)	T (tube thickness)	H (thread)
SSEB1040304S	38.1mm	1.5mm	45mm
SSEB1020104S	42.4mm	2.0mm	50mm



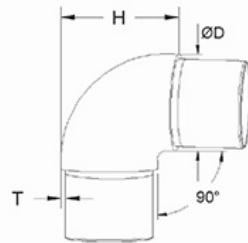
Semi-Round



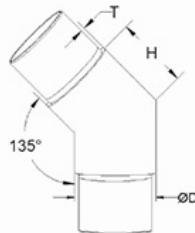
	D (tube)	T (tube thickness)	H (thread)
SSEB2040304S	38.1mm	1.5mm	45mm
SSEB2020104S	42.4mm	2.0mm	50mm
SSEB2050304S	50.8mm	1.5mm	70mm
SSEB2050104S	50.8mm	2.0mm	70mm



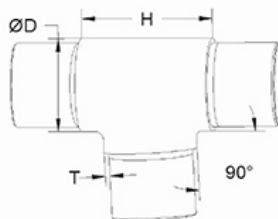
Round



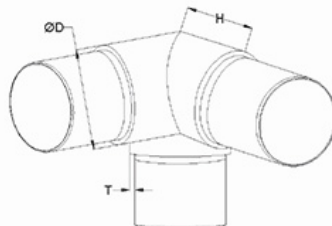
	D (tube)	T (tube thickness)	H (thread)
SSEB3040304S	38.1mm	1.5mm	45mm
SSEB3020104S	42.4mm	2.0mm	50mm
SSEB3021104S	42.4mm	2.0mm	65mm
SSEB3050304S	50.8mm	1.5mm	70mm



	D (tube)	T (tube thickness)	H (thread)
SSEB4040304S	38.1mm	1.5mm	35mm
SSEB4020104S	42.4mm	2.0mm	38mm
SSEB4050304S	50.8mm	1.5mm	45mm

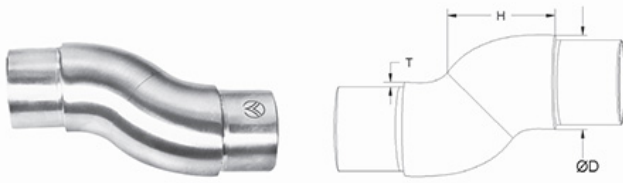


	D (tube)	T (tube thickness)	H (thread)
SSEB5040304S	38.1mm	1.5mm	52mm
SSEB5020104S	42.4mm	2.0mm	60mm
SSEB5050304S	50.8mm	1.5mm	70mm
SSEB5050104S	50.8mm	2.0mm	70mm



	D (tube)	T (tube thickness)	H (thread)
SSEB6040304S	38.1mm	1.5mm	45mm
SSEB6020104S	42.4mm	2.0mm	50mm
SSEB6050304S	50.8mm	1.5mm	70mm
SSEB6050104S	50.8mm	2.0mm	70mm

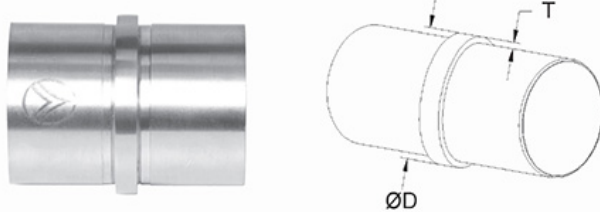
NOTE: 38.1mm = 1½", 42.4mm = 1.66", 50.8mm = 2"



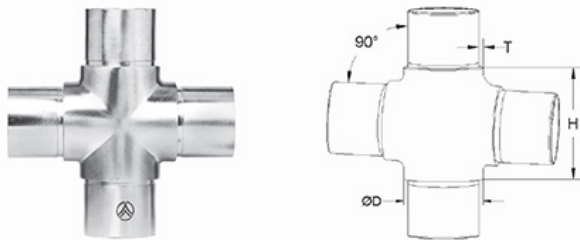
	D (tube)	T (tube thickness)	H (thread)
SSEB7040304S	38.1mm	1.5mm	45mm
SSEB7020104S	42.4mm	2.0mm	52mm
SSEB7050304S	50.8mm	1.5mm	58mm
SSEB7050104S	50.8mm	2.0mm	58mm



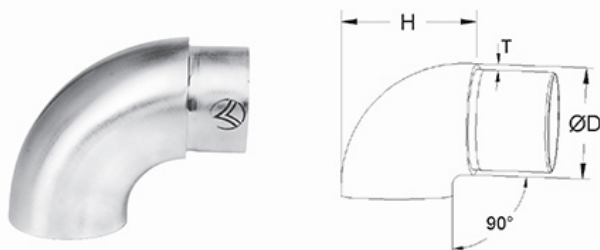
	D (tube)	T (tube thickness)	H (thread)
SSEB8040304S	38.1mm	1.5mm	24mm
SSEB8020104S	42.4mm	2.0mm	27mm
SSEB8050304S	50.8mm	1.5mm	32mm



	D (tube)	T (tube thickness)
SSEB9040304S	38.1mm	1.5mm
SSEB9020104S	42.4mm	2.0mm
SSEB9050304S	50.8mm	1.5mm
SSEB9050104S	50.8mm	2.0mm

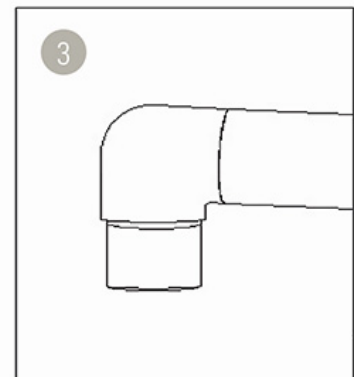
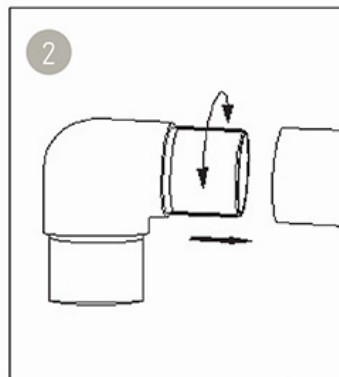
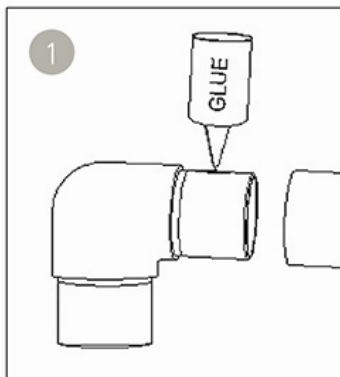


	D (tube)	T (tube thickness)	H (thread)
SSEB1250304S	50.8mm	1.5mm	70mm



	D (tube)	T (tube thickness)	H (thread)
SSEB1340304S	38.1mm	1.5mm	45mm
SSEB1320104S	42.4mm	2.0mm	50mm
SSEB1350304S	50.8mm	1.5mm	70mm

Assembly Installation View

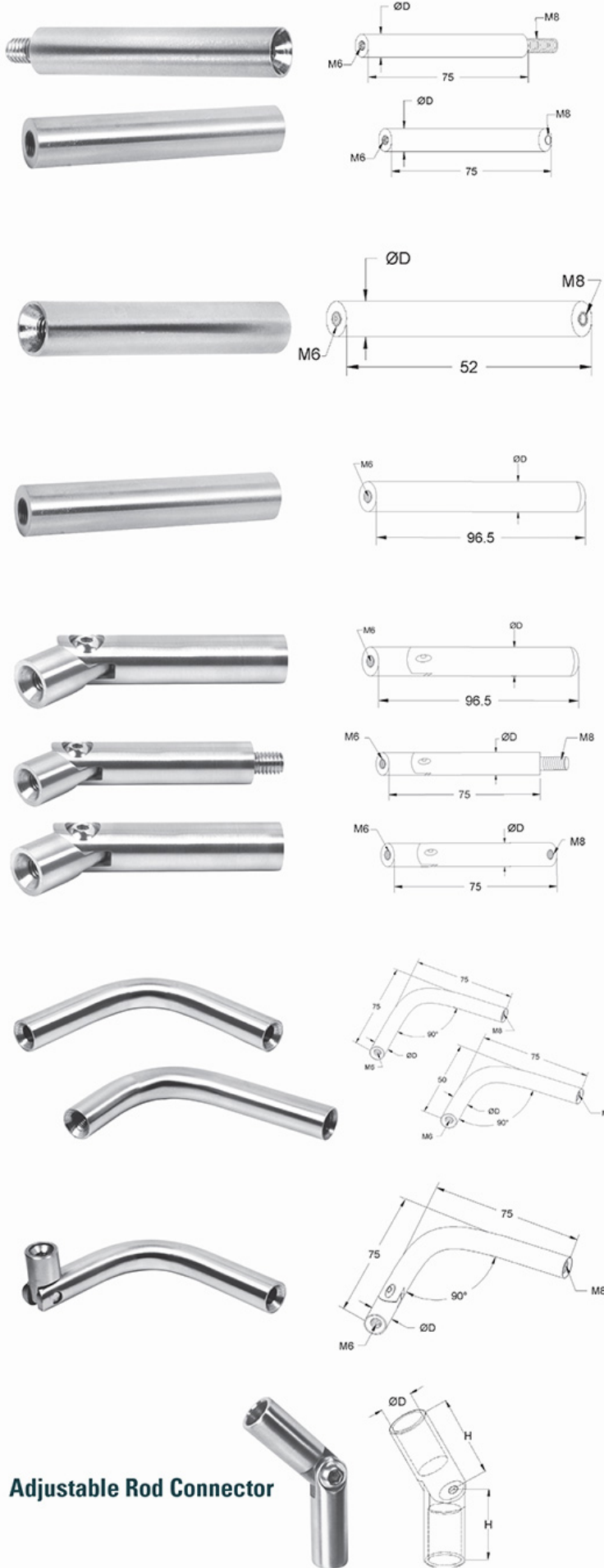


NOTE: 38.1mm = 1½", 42.4mm = 1.66", 50.8mm = 2"



ROD & TUBE CONNECTORS





	D (bar dia)	(pin thread)	(hole thread)
SSFP0012104S	12mm	M8	M6
SSFP0022104S	14mm	M8	M6
SSFP0012204S	12mm		M6, M8
SSFP0022204S	14mm		M6, M8

	D (bar dia)	(hole thread)
SSFP0112204S	12mm	M6, M8

	D (bar dia)	(hole thread)
SSFP0122004S	14mm	M6
SSSP0122004S	14mm	M6

	D (bar dia)	(pin thread)	(hole thread)
SSSP0012104S	12mm	M8	M6
SSSP0022104S	14mm	M8	M6
SSSP0012204S	12mm		M6, M8
SSSP0022204S	14mm		M6, M8

	D (bar dia)	(hole thread)
SSFB0012204S	12mm	M6, M8
SSFB0022204S	14mm	M6, M8
SSFB0032204S	12mm	M6, M8

	D (bar dia)	(hole thread)
SSSB0012204S	12mm	M6, M8
SSSB0022204S	14mm	M6, M8

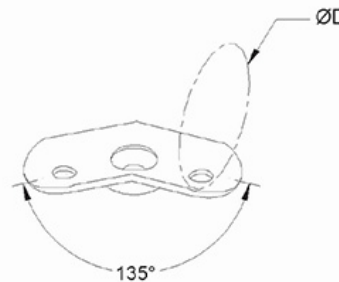
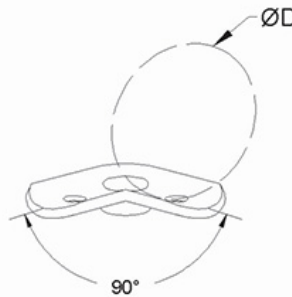
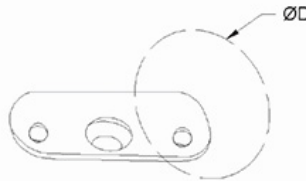
	D (rod)	H (height)
SSEB2130104S	12mm	36mm
SSEB2150104S	12.7mm	36mm

Adjustable Rod Connector



SADDLES • TUBE SUPPORTS

SADDLES



	D (tube)
SSUA0010104S	flat
SSUA0010604S	38.1mm
SSUA0010304S	42.4mm
SSUA0010704S	50.8mm

	D (tube)
SSUA0012104S	flat
SSUA0012604S	38.1mm
SSUA0012304S	42.4mm
SSUA0012704S	50.8mm

	D (tube)
SSUA0011604S	38.1mm
SSUA0011304S	42.4mm
SSUA0011704S	50.8mm

CREATE YOUR OWN COMBINATION

Choose from saddles above and combine with tube supports, wall brackets, and handrail brackets to create the component of your choice.

EXAMPLE FOR TUBE SUPPORT



SSTF2030004S

+



SSUA0010304S

=



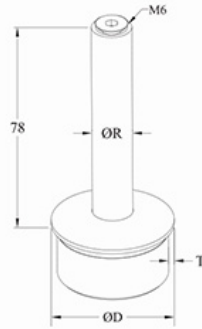
Tube Support with Saddle

NOTE: Saddles are included when purchasing tube supports, wall brackets, and handrail brackets. Saddles can also be purchased separately.



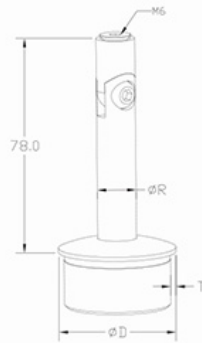
TUBE SUPPORTS

Choose saddle type from page A58 to go with the tube support of your choice.



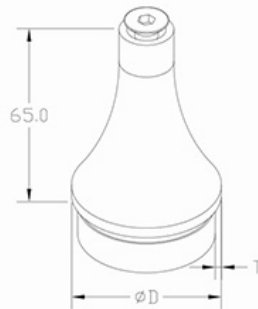
FIXED

	D (tube)	T (tube thickness)
SSTF1050004S	38.1mm	1.5mm
SSTF0030004S	42.4mm	2.0mm
SSTF1060004S	50.8mm	1.5mm



SWIVEL

	D (tube)	T (tube thickness)
SSTS1060004S	38.1mm	1.5mm
SSTS0030004S	42.4mm	2.0mm
SSTS1070004S	50.8mm	1.5mm



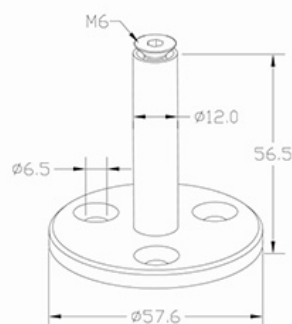
FIXED

	D (tube)	T (tube thickness)
SSTF2050004S	38.1mm	1.5mm
SSTF2030004S	42.4mm	2.0mm
SSTF2060004S	50.8mm	1.5mm



SWIVEL

	D (tube)	T (tube thickness)
SSTS2050004S	38.1mm	1.5mm
SSTS2030004S	42.4mm	2.0mm
SSTS2060004S	50.8mm	1.5mm



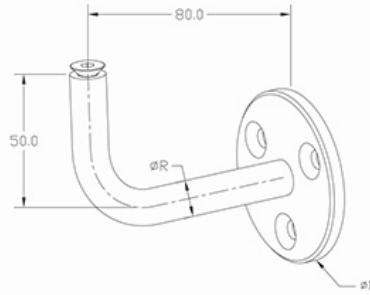
FIXED

	d (plate dia)
SSTF0010004S	58mm

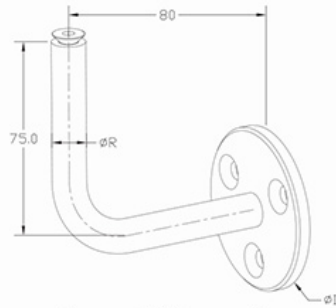
NOTE: Saddles are included when purchasing tube supports. Saddles can also be purchased separately.



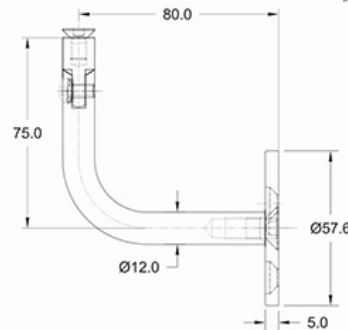
WALL BRACKETS



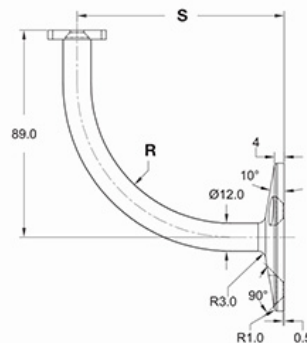
3" x 2"	d (plate dia)	R (rod dia)
SSWB0100004S (2 1/2" to center)	58mm	12mm



3" x 3"	d (plate dia)	R (rod dia)
SSWB1301104S	58mm	12mm
SSWB2311104S (3 1/2" to center)	68mm	14mm



	d (plate dia)	R (rod dia)
SSWB1109004S	58mm	12mm



	S (size)	R (center line radius)
SSWB31204S	3 1/2"	60mm
SSWB41204S	4 1/2"	70mm

(non-removable flat saddle already included;
for use with wooden handrails)

EXAMPLE FOR WALL BRACKET



SSWB1301104S

+

SSUA0010304S

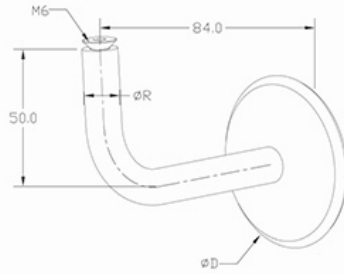
=

Wall Bracket with Saddle

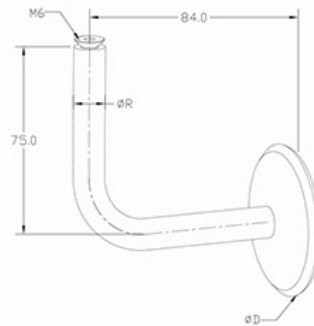
NOTE: Saddles are included when purchasing wall brackets. Saddles can also be purchased separately.



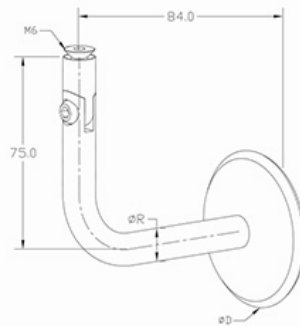
Choose saddle type from page A58 to go with the wall bracket of your choice.



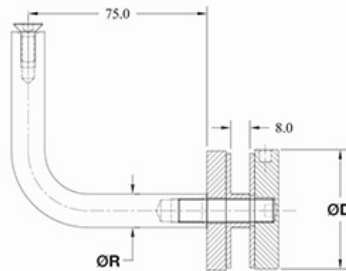
3" x 2"	d (plate dia)	R (rod dia)
SSWB0200004S (2 1/2" to center)	58mm	12mm



3" x 3"	d (plate dia)	R (rod dia)
SSWB1301204S	58mm	12mm
SSWB2311204S (3 1/2" to center)	68mm	14mm



	d (plate dia)	R (rod dia)
SSWB1209004S	58mm	12mm



	d (base dia)	R (rod dia)
SSGF10GM04S (3" x 2")	50mm	14mm
SSGF11GM04S (3" x 3") (mounting for glass)	58mm	12mm

EXAMPLE FOR WALL BRACKET



SSWB0200004S

+

SSUA0010104S

=

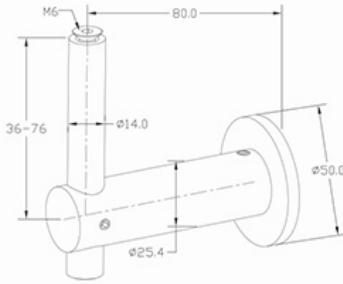
Wall Bracket with Saddle

NOTE: Saddles are included when purchasing wall brackets. Saddles can also be purchased separately.

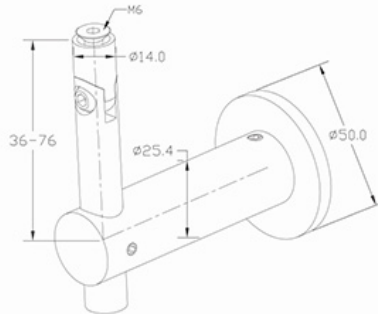
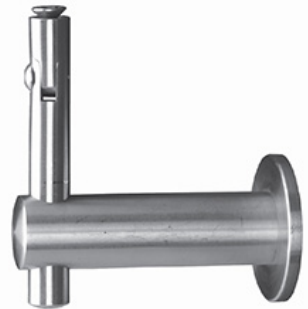


HANDRAIL BRACKETS

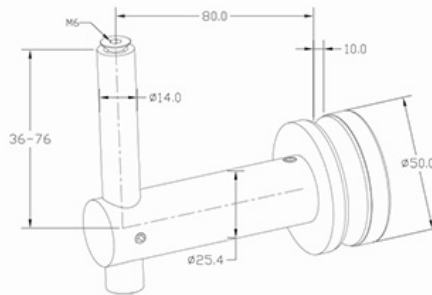
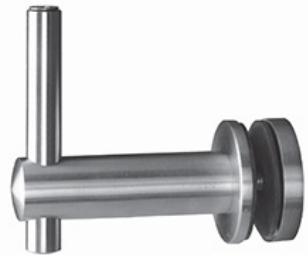
Choose saddle type from page A58 to go with the handrail bracket of your choice.



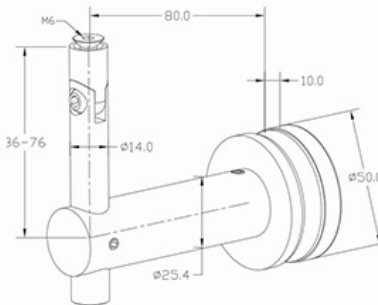
FIXED Mounting
SSWF0010004S for wall



SWIVEL Mounting
SSWS0010004S for wall

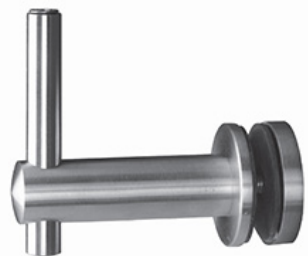


FIXED Mounting
SSGF0010004S for glass



SWIVEL Mounting
SSGS0010004S for glass

EXAMPLE FOR HANDRAIL BRACKET



SSGF0010004S

+

SSUA0010304S

=

Handrail Bracket with Saddle

NOTE: Saddles are included when purchasing handrail brackets. Saddles can also be purchased separately. For square handrail brackets, see page A74



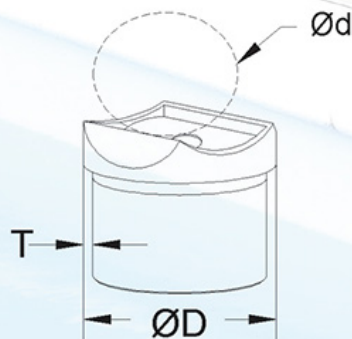
Component for post mounting
available upon request.



TUBE RESTS • FOOTRAIL BRACKETS



TUBE RESTS

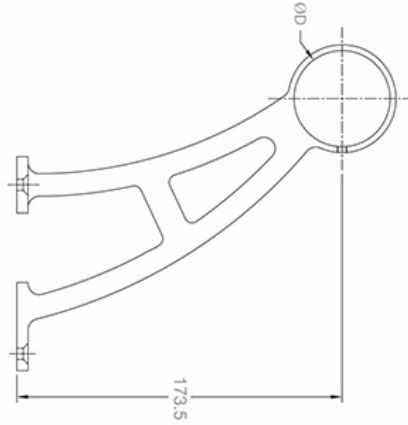


	D (tube)	T (tube thickness)	d (handrail size)
SSTR0260604S	38.1mm	1.5mm	38.1mm
SSTR0030304S	42.4mm	2.0mm	42.4mm
SSTR0270704S	50.8mm	1.5mm	50.8mm
SSTR0070704S	50.8mm	2.0mm	50.8mm



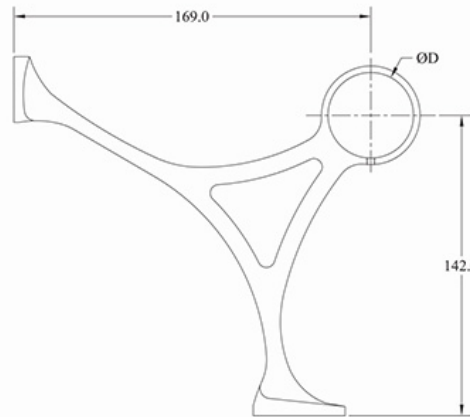
FOOTRAIL BRACKETS

Wall Mount



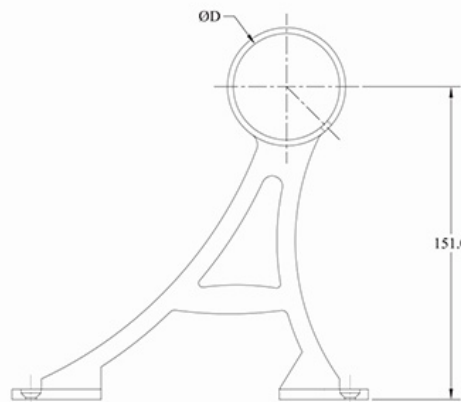
	D (tube dia)
SSRF0011104S	40.0mm
SSRF0011704S	50.8mm

Wall to Floor Mount



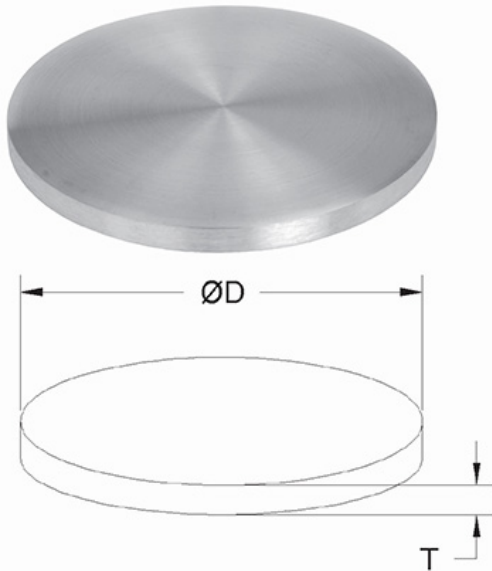
	D (tube dia)
SSRF0031104S	40.0mm
SSRF0031704S	50.8mm

Floor Mount

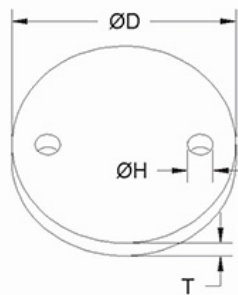


	D (tube dia)
SSRF0041104S	40.0mm
SSRF0041704S	50.8mm

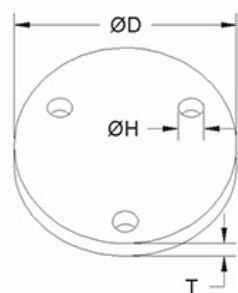
DISCS & FLANGES



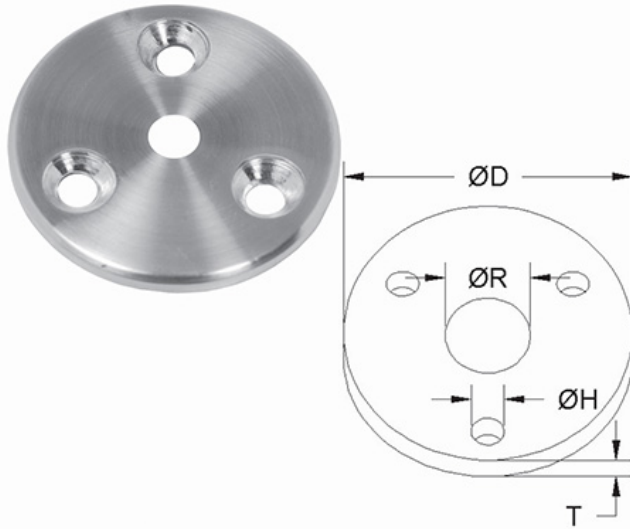
	D (plate dia)	T (thickness)
SSPL0420404S	42mm	4mm
SSPL0480404S	48mm	4mm
SSPL0560404S	56mm	4mm
SSPL0700104S	68mm	5mm
SSPL0800604S	80mm	6mm
SSPL1000104S	100mm	6mm



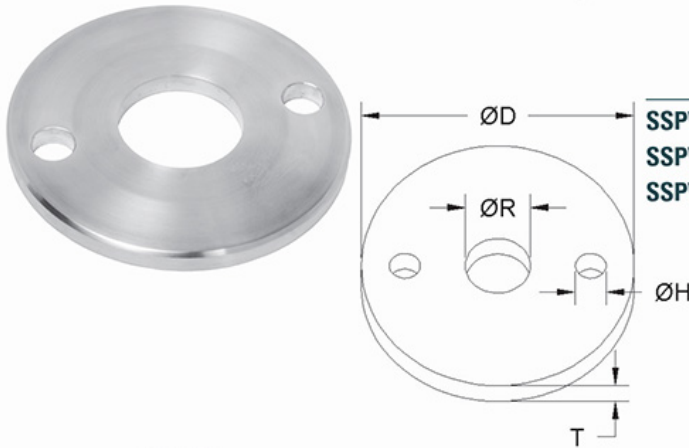
	D (plate dia)	T (thickness)	H (outer holes)
SSPW0581104S	58mm	5mm	2 x 6.5mm
SSPW0701104S	68mm	5mm	2 x 6.5mm
SSPW0801104S	80mm	6mm	2 x 8.5mm



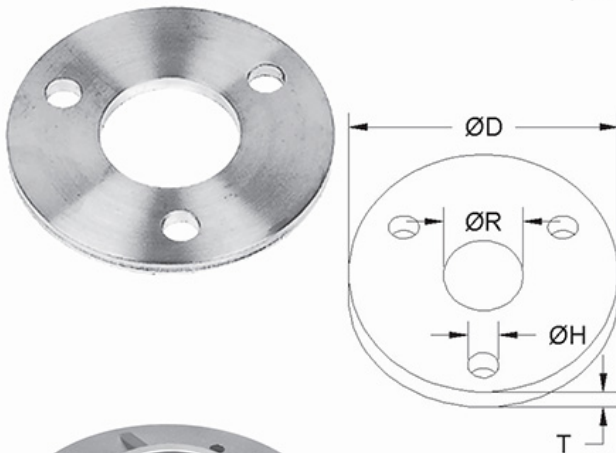
	D (plate dia)	T (thickness)	H (outer holes)
SSPW1001204S	100mm	6mm	3 x 11mm



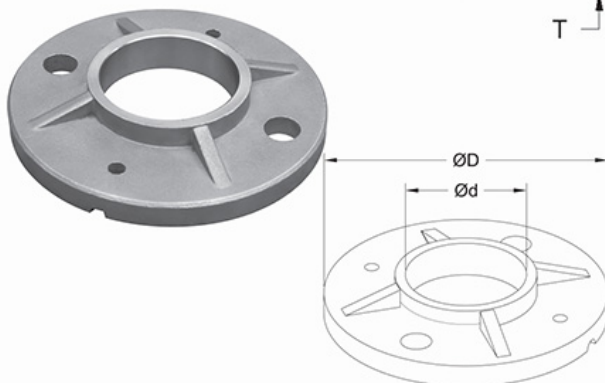
	D (plate dia)	T (thickness)	H (outer holes)	R (tube size)
SSPW0581504S	58mm	5mm	3 x 6.5mm	8.2mm
SSPW0701504S	68mm	5mm	3 x 6.5mm	8.2mm



	D (plate dia)	T (thickness)	H (outer holes)	R (tube size)
SSPW1001604S	100mm	6mm	2 x 11mm	38.1mm
SSPW1001404S	100mm	6mm	2 x 11mm	42.4mm
SSPW1201304S	120mm	10mm	2 x 13mm	42.4mm



	D (plate dia)	T (thickness)	H (outer holes)	R (tube size)
SSPW1001504S	100mm	6mm	3 x 11mm	42.4mm
SSPW1201504S	120mm	10mm	3 x 13mm	42.4mm
SSPW1201704S	120mm	10mm	3 x 13mm	50.8mm



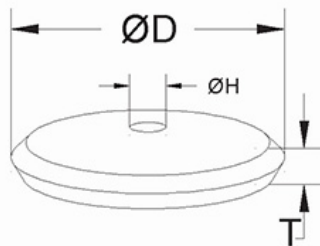
	D (plate dia)	d (tube size)
SSPW1071304N	100mm	42.4mm

*Cast

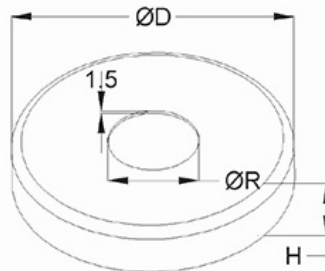
PLATE COVERS • FLANGES, WALL & FLEXIBLE BASE MOUNTS • HORIZONTAL CONNECTOR



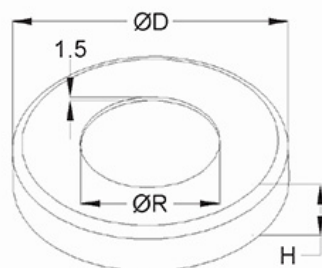
PLATE COVERS



	D (plate dia)	H (center hole)	T (thickness)
SSCP0580504S	58mm	10mm	5mm
SSCP0680504S	68mm	10mm	5mm



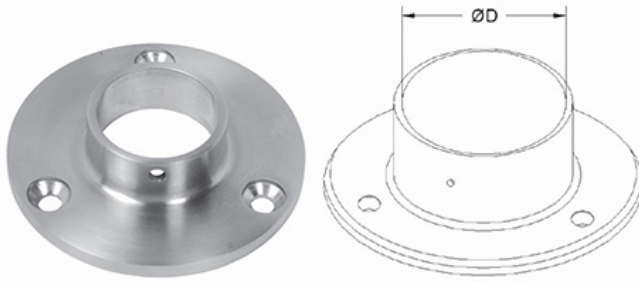
	D (plate dia)	R (center hole)	H (height)
SSPC0600104S	60mm	12mm	12mm
SSPC0760204S	76mm	12mm	12mm



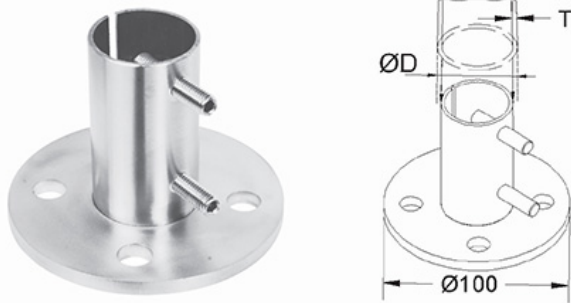
	D (plate dia)	R (tube)	H (height)
SSPC0761304S	76mm	38.1mm	12mm
SSPC0850404S	85mm	38.1mm	16mm
SSPC1051304S	105mm	38.1mm	25mm
SSPC1050204S	105mm	42.4mm	16mm
SSPC1050216S Ⓢ	105mm	42.4mm	16mm
SSPC1050104S	105mm	42.4mm	25mm
SSPC1250204S	125mm	42.4mm	25mm
SSPC1051404S	105mm	50.8mm	25mm
SSPC1251404S	125mm	50.8mm	25mm



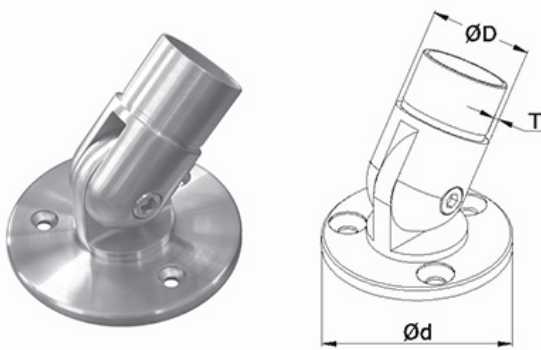
FLANGES, WALL & FLEXIBLE BASE MOUNTS



	D (tube)
SSUC0010604S	38.1mm
SSUC0010304S	42.4mm
SSUC0010704S	50.8mm

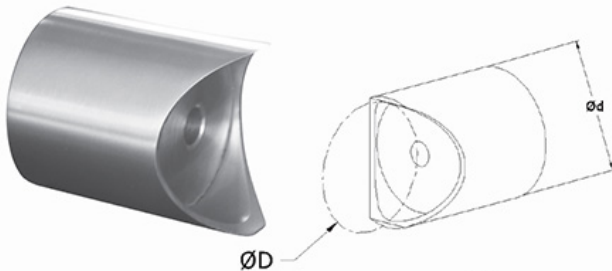


	D (tube)	T (thickness)
SSUC0041604S	38.1mm	1.5mm
SSUC0040304S	42.4mm	2.0mm
SSUC0041704S	50.8mm	1.5mm
SSUC0040704S	50.8mm	2.0mm

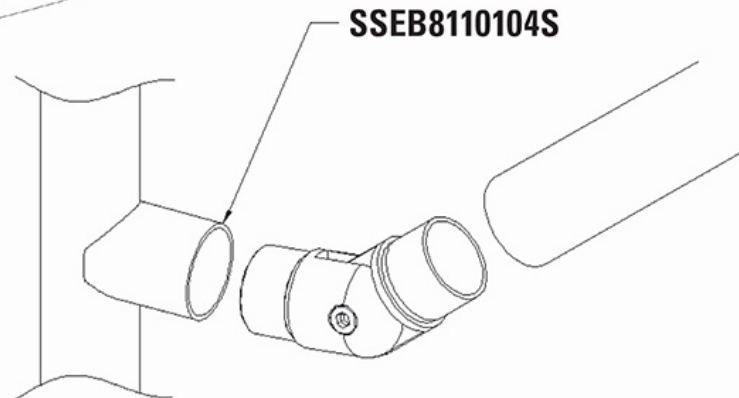


	D (tube)	T (thickness)	d (plate dia)
SSUC8040304S	38.1mm	1.5mm	80mm
SSUC8020104S	42.4mm	2.0mm	80mm

HORIZONTAL CONNECTOR



	D (tube)	T (thickness)	d (plate dia)
SSEB8110104S	42.4mm	2.0mm	42.4mm



NOTE: Ⓞ SS316



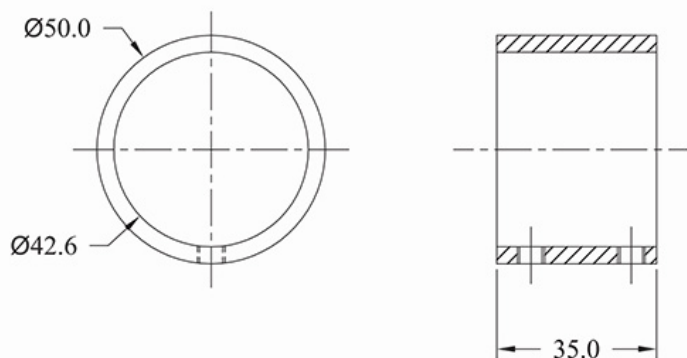
UPRIGHT CLAMPS



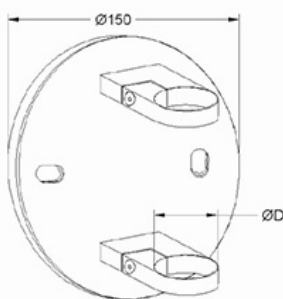
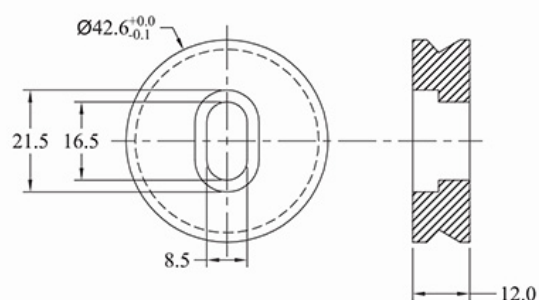


	D (tube)
SSEB8100204S	42.4mm

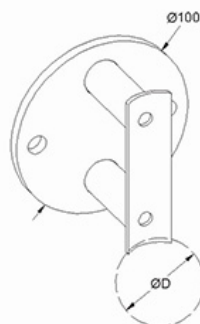
PART 1



PART 2



	D (tube)
SSUC0020604S	38.1mm
SSUC0020304S	42.4mm
SSUC0020704S	50.8mm



	D (tube)
SSUC0050604S	38.1mm
SSUC0050304S	42.4mm
SSUC0050704S	50.8mm
SSUC0050716S	50.8mm

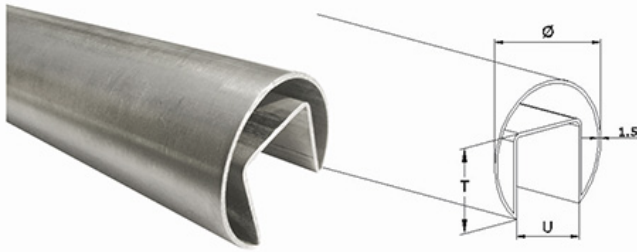


U-TUBE FITTINGS (ROUND)





Channel



	D (tube)	U (inner width)	T (inner height)	L (length)
SSUT0420204S	42.4mm	24mm	24mm	19ft.

Rubber Gaskets



A.

B.

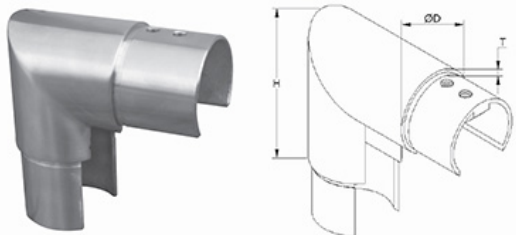
	T (glass thickness)	L (length)
A. SSUT04201RBN	8-11mm	19ft.
B. SSUT04202RBN	11.5-15mm	19ft.

Swivel Elbow



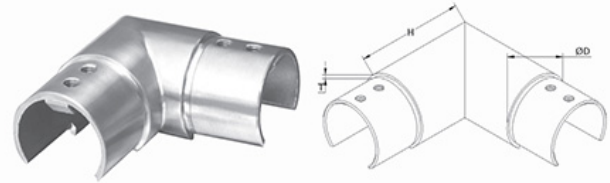
	D (tube)	T (thickness)	H (height)
SSYE8020304S	42.4mm	1.5mm	30mm

Vertical 90° Elbow



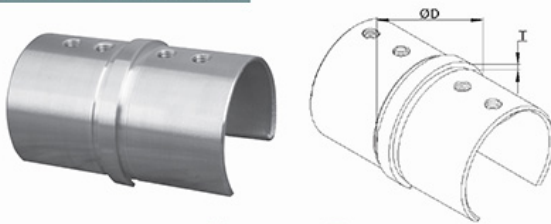
	D (tube)	T (thickness)	H (height)
SSYE1020304S	42.4mm	1.5mm	30mm

Horizontal 90° Elbow



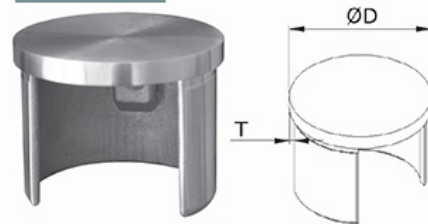
	D (tube)	T (thickness)	H (height)
SSYE1620304S	42.4mm	1.5mm	30mm

Tube Connector



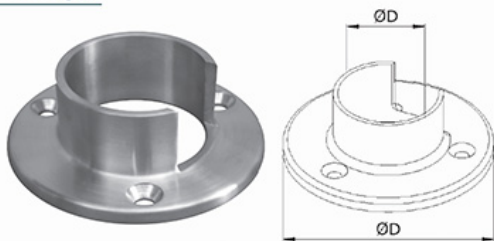
	D (tube)	T (thickness)
SSYE9020304S	42.4mm	1.5mm

End Cap



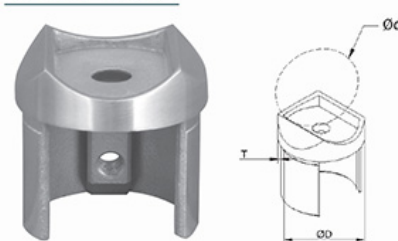
	D (tube)	T (thickness)
SSYP0012204S	42.4mm	1.5mm

Flange



	D (tube)	T (thickness)
SSYC0010304S	42.4mm	1.5mm

Tube Rest



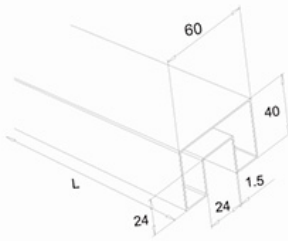
	D (tube)	T (thickness)	d (tube)
SSYR0230304S	42.4mm	1.5mm	42.4mm



U-TUBE FITTINGS (SQUARE) • SQUARE FITTINGS

U-TUBE FITTINGS (SQUARE)

Channel



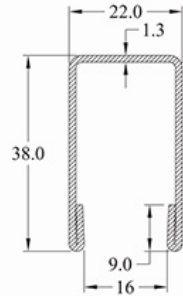
	Outer Dimensions	Inner Dimensions	L (length)
SSUTSQ640164	60 x 40mm	24 x 24mm	16ft.

Rubber Gasket



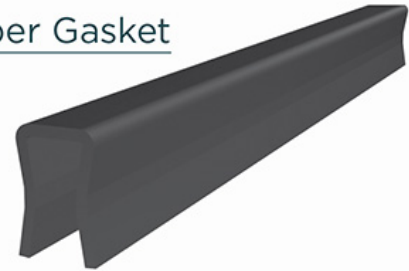
	T (glass thickness)	L (length)
SSUTSQ12MRBN	8-13.5mm	19ft.

Channel



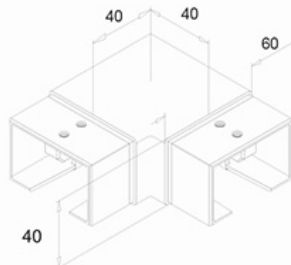
	D (tube)	H (height)	L (length)
SSUT0220104S	60mm	40mm	10ft.

Rubber Gasket



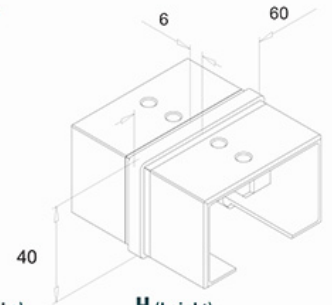
	D (tube)	H (height)	L (length)
SSUT02201RBN	60mm	40mm	10ft.

Horizontal 90° Elbow



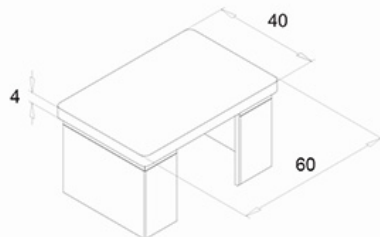
	D (tube)	H (height)
SSUTSQ310164	60mm	40mm

Tube Connector



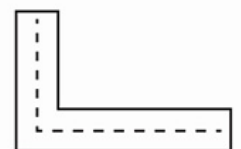
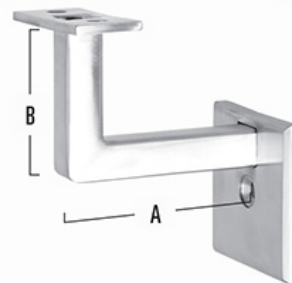
	D (tube)	H (height)
SSUTSQ310364	60mm	40mm

End Cap



	D (tube)	H (height)
SSUTSQ340164	60mm	40mm

Handrail Bracket



The dimensions show the dotted lines

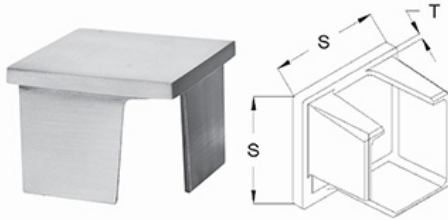
	A	B	
SSZH0070104S	61.5mm	43mm	fixed
SSZH0071104S	90mm	44mm	fixed
SSZH0030104S	90mm	44mm	swivel

*Image differs by mounting. Refer to website.



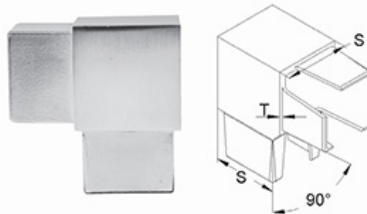
SQUARE FITTINGS

End Cap



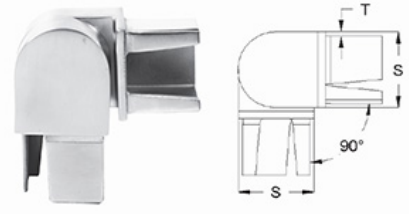
	S (tube)	T (thickness)
SSZP0404004S	40 x 40mm	2.0mm
SSZP0404016S ☑	40 x 40mm	2.0mm

90° Elbow



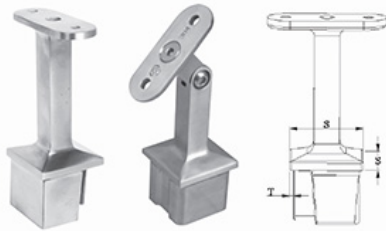
	S (tube)	T (thickness)
SSZE0404004S	40 x 40mm	2.0mm
SSZE0404016S ☑	40 x 40mm	2.0mm

90° Elbow



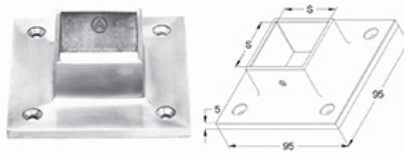
	S (tube)	T (thickness)
SSZE1404004S	40 x 40mm	2.0mm
SSZE1404016S ☑	40 x 40mm	2.0mm

Tube Supports



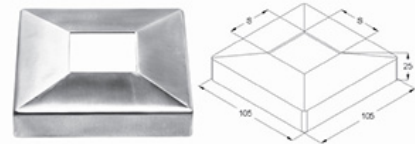
	S (tube)	T (thickness)	
SSZT0404004S	40 x 40mm	2.0mm	fixed
SSZT0404016S ☑	40 x 40mm	2.0mm	fixed
SSZT1404004S	40 x 40mm	2.0mm	swivel
SSZT1404016S ☑	40 x 40mm	2.0mm	swivel

Flange



	S (tube)
SSZC0404004S	40 x 40mm

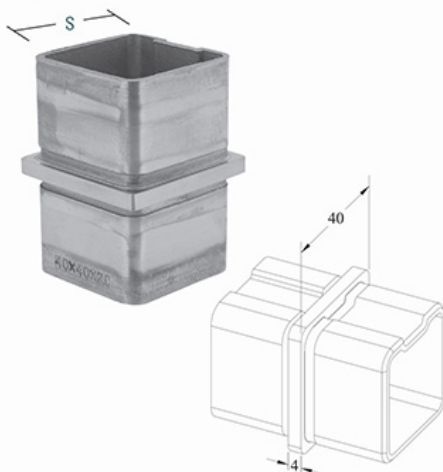
Base Cover



	S (tube)
SSZC1054004S	40 x 40mm
SSZC1054016S ☑	40 x 40mm

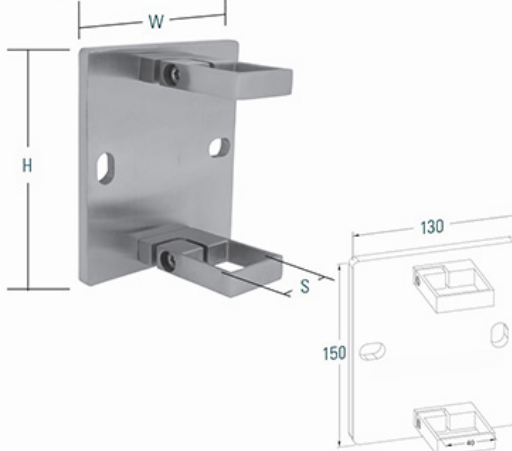
**For use with base plate below*

Tube Connector



	S (tube)	T (thickness)
SSZE0404104S	40 x 40mm	2.0mm
SSZE0404116S ☑	40 x 40mm	2.0mm

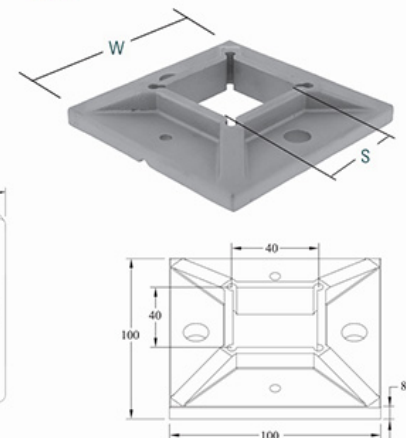
Side Mount



	S (tube)	W (width)	H (height)
SSZC0404104S	40 x 40mm	130mm	150mm

Base Plate

**Cast*



	S (tube)	W (width)
SSZW1000204N	40 x 40mm	100mm
SSZW1000216N ☑	40 x 40mm	100mm

NOTE: ☑ SS316



TUBING & ROD • ADHESIVE & SPRAYS • FASTENERS

TUBING & ROD (all tubing and rod come in #4 brushed finish; other sizes available upon request)



	D (tube OD)	T (thickness)	L (length)	SS (grade)
SST1215304	1/2"	1.5mm	19ft.	304
SST5815304	5/8"	1.5mm	19ft.	304
SST3415304	3/4"	1.5mm	19ft.	304
SST11215304	1 1/2"	1.5mm	19ft.	304
SST1.662304	1.66"	2.0mm	19ft.	304
SST1.662316	1.66"	2.0mm	19ft.	316
SST215304	2"	1.5mm	19ft.	304



	D (rod OD)	L (length)	SS (grade)
SSROD38304	3/8"	19ft.	304
SSROD716304	7/16"	19ft.	304
SSROD12304	1/2"	19ft.	304
SSROD58304	5/8"	19ft.	304



	W (tube OD)	T (thickness)	L (length)	SS (grade)
SSTSQ1215304	1/2"	1.5mm	19ft.	304
SSTSQ5815304	5/8"	1.5mm	19ft.	304
SSTSQ3415304	3/4"	1.5mm	19ft.	304
SSTSQ402304	40mm	2.0mm	19ft.	304
SSTSQ402316	40mm	2.0mm	19ft.	316
SSTSQ22304	2"	2.0mm	19ft.	304



	W (rod OD)	L (length)	SS (grade)
SSRODSQ38304	3/8"	19ft.	304
SSRODSQ12304	1/2"	19ft.	304



ADHESIVE & SPRAYS



Adhesive
SSRK-1500
60g



Scan to watch our
demo video



Cleaner Spray
SSCLEANER
500mL



Care Spray
SSCARESPRAY
400mL

STAINLESS STEEL FASTENERS

(Other sizes available upon request)



Wood
Screw
SSFL8X1
#8 x 1"
flat head

Wood
Screw
SSFL12X2
#12 x 2"
flat head



Machine
Screw
SSM612
M6 x 12mm
flat head



Machine
Screw
SSM625
M6 x 25mm
flat head



Machine
Screw
SSM812
M8 x 12mm
flat head



Machine
Screw
SSM825
M8 x 25mm
round head



Wood
Screw
SSFL12X34
#12 x 3/4"
flat head



Self-tapping
Screw
SSPH12X34
#12 x 3/4"
pan head
for handrails

MILD STEEL FASTENERS



Hanger Bolt
HBM880
M8 x 80mm

Hanger Bolt
HBM1080
M10 x 80mm



Hanger Bolt
HBM840
M8 x 40mm

Hanger Bolt
HBM1050
M10 x 50mm



Lag Bolt for screwing posts into wood
LAG384
3/8" x 4"



STAINLESS STEEL TOOLS • NOTCHING SYSTEM
STAINLESS STEEL TOOLS



**FEIN Pipe Polisher Professional Set
RS12-70EPRO**

Includes:

- 1 Pipe Polisher RS12-70E
- 1 Metal Carrying Case
- 10 Sanding Belts 20 x 815mm - Grit 120
- 10 Sanding Belts 20 x 815mm - Grit 180
- 10 Sanding Belts 40 x 815mm - Grit 120
- 10 Sanding Belts 40 x 815mm - Grit 180
- 5 Fleece Belts 20 x 815mm - Grit 280



TECHNICAL SPECIFICATIONS

Model	RS12-70E
Power Consumption	1,200 W
Power Output	750 W
No Load Speed	2,700 - 7,000 RPM
Belt Speed	72 ft./s
Minimum Wall Clearance	2"
Pipe Diameter	5/16" - 3 1/8"
Cord Length	13 ft.
Weight (EPTA)	8.3 lbs.



**FEIN 6" Compact Angle Grinder
WSG11-150**

Includes:

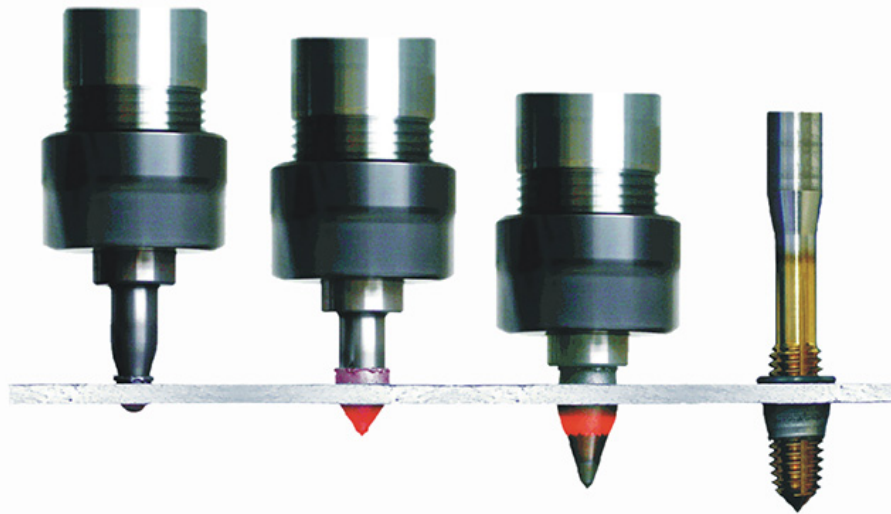
- 1 Guard
- 1 Pair of Flanges
- 1 Handle
- 1 Wrench

TECHNICAL SPECIFICATIONS

Model	WSG11-150
Power Consumption	1,100 W
Power Output	700 W
No Load Speed	8,500 RPM
Mounting Thread	5/8" - 11"
Grinding Wheel Diameter	6"
Elastic Backing Pad Diameter	6"
Cord Length	13 ft.
Weight (EPTA)	5.1 lbs.

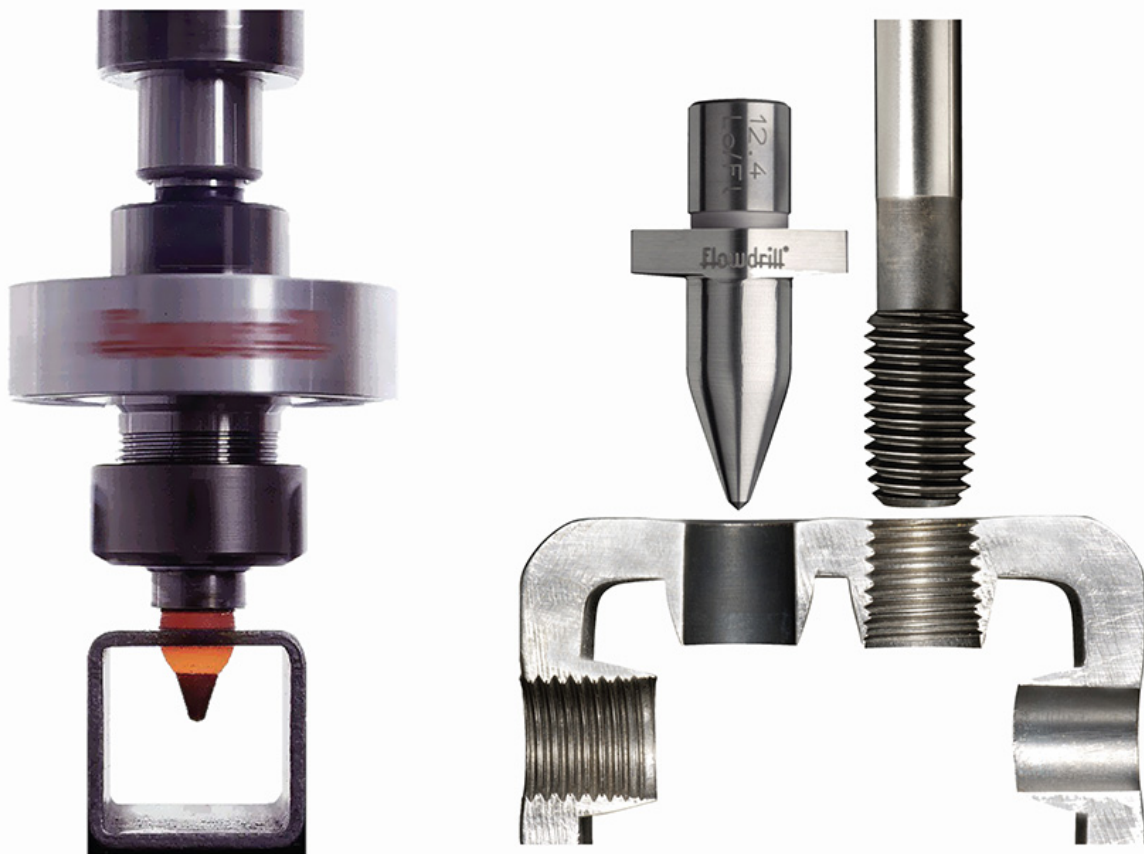


NOTCHING SYSTEM



Flowdrill®

A flowdrill is a lobed, conical tungsten carbide tool. When rotated at high speed and pressed with high axial force into sheet metal or thin walled tube, generated heat softens the metal and allows the drill to feed forward, produce a hole and simultaneously form a bushing from the displaced material.





DISCLAIMER

Please note that great care and effort was put forth in the production of this catalogue. We apologize in advance for any inconvenience caused by any items or details not displayed correctly. Items may change or be discontinued, and new items may be added without notice. This is the most current information to date at the time of the printing of this catalogue. For the latest updates, please refer to our website: www.euroforgings.com.

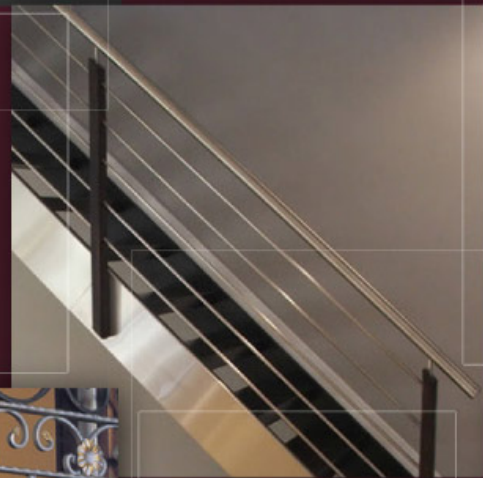




PHOTOGRAPH: EXCEL ENCLOSURES & RAILINGS



Euro Forgings



Canada's Largest
Distributor of
Architectural
Components for
the Railing and
Fence Industry





PICKETS



ALUMINUM

BRASS

CAST IRON

FORGED STEEL

WOOD



CONVERSION CHART

The following chart shows the measurements in mm and their approximate equivalent in inches.

mm	inches
8	5/16
10	3/8
12	1/2
14	9/16
16	5/8
18	11/16
20	3/4
25	1
30	1 3/16
40	1 9/16
50	2
900	35 1/2
1000	39 3/8
1117.6	44
1200	47 1/4

SPECIAL NOTE:

For FORGED STEEL pickets, newer stock for all pickets will be in the 44" length to adhere to building codes. For pickets in other lengths, please contact us to inquire as we also specialize in custom designs to meet your architectural needs.

ALUMINUM

BRASS

CAST IRON

FORGED STEEL

WOOD



113/6AL

A

3/4" SQ.
40"



768/4

B

14mm SQ.
1000mm



768/5

B

14mm SQ.
1000mm



768/6

B

14mm SQ.
30 x 1000mm



769/4

B

14mm SQ.
1000mm



769/12

A

14mm SQ.
1000mm



1440/1

A

16mm SQ.
65 x 1000mm



1440/2

A

16mm SQ.
65 x 1000mm



LFOB-115NCAL

A

5/8" RD.
45"
25 3/8" CENTER DETAIL



LFOB-115TPAL

A

5/8" RD.
45"
25 3/8" CENTER DETAIL



LFOB115NCA34

A

3/4" SQ.
35 5/8"
22 1/8" CENTER DETAIL



LFOB115TPA34

A

3/4" SQ.
35 5/8"
22 1/8" CENTER DETAIL



144/3
144/3/L



30mm RD.
900mm
1120mm



525/1
525/1S



30mm RD.
930mm
1120mm



527/2



45mm RD.
1000mm



527/3



30mm RD.
1000mm
35mm SQ. COLLAR



89-BXL

1" RD.
2 1/4" x 36"



89-L

1/2" SQ.
35 3/4"



7614

4 1/4" x 27 3/4"



7615

4 5/8" x 27 5/8"



7618

1 1/4" SQ.
36 1/2"



8300

5/8" SQ.
6" x 36"



8304

1 1/2" SQ.
35 3/8"
7/8" RD. TOP



8305

1" x 2 1/4" OVAL
31 1/4"
1/2" x 1 1/2" TOP



9201

2 3/4" RD.
34 1/2"



9450

1" SQ.
5 5/8" x 32 5/8"



9640

5/8" SQ.
4 1/2" x 36"



9641

3/4" SQ.
5 3/4" x 36"



9643

3 1/2" x 28 1/2"



9644

3 1/2" x 29"



LFOB-115NC
LFOB-115NC-S



5/8" RD.
45"
25 3/8" CENTER DETAIL
22 1/8" CENTER DETAIL



LFOB-115TP
LFOB-115TP-S



5/8" RD.
45"
25 3/8" CENTER DETAIL
22 1/8" CENTER DETAIL



LFOB-225



5/8" RD.
45 5/8"



LFOB-515



5/8" SQ.
42 1/2"
5/8" RD. TOP



98/1
98/1/44



10mm SQ.
1000mm
44"



1125/2



10mm SQ.
175mm x 1000mm



1192/6



10mm SQ.
1000mm



58/3



8mm SQ.
160 x 900mm



47/3



12mm SQ.
900mm



14/06



12mm SQ.
950mm



15B/13



12mm SQ.
44"





47/5

B

12mm SQ.
50 x 900mm



47/6

B

12mm SQ.
900mm



48/3

B

12mm SQ.
55 x 900mm



48/4

B

12mm SQ.
55 x 900mm



48/5

A

12mm SQ.
130 x 900mm



48/A/3

G

12mm SQ.
55 x 900mm



48/A/4

G

12mm SQ.
55 x 900mm



49/2

B

12mm SQ.
165 x 900mm



49/3

A

12mm SQ.
180 x 900mm



49/4

B

12mm SQ.
125 x 900mm



49/6

A

12mm SQ.
180 x 1300mm



50/5/44



12mm SQ.
30mm x 44"



50/6/44



12mm SQ.
30mm x 44"



50/7



12mm SQ.
140 x 900mm



50/8



12mm SQ.
140 x 900mm



51/1



12mm SQ.
190 x 900mm



52/2



12mm SQ.
235 x 900mm



52/F/1



12mm SQ.
260 x 900mm



52/E/3



12mm SQ.
235 x 900mm





52/A/3

A

12mm SQ.
170 x 900mm



52/A/4

A

12mm SQ.
250 x 900mm



53/1

A

12mm SQ.
235 x 900mm



64/A/2

A

12mm SQ.
260 x 900mm



64/A/3

A

12mm SQ.
220 x 900mm



64/B/1

A

12mm SQ.
220 x 900mm



64/B/2

A

12mm SQ.
220 x 900mm



64/B/3

A

12mm SQ.
255 x 900mm



64/D/5

B

12mm SQ.
900mm



64/L/2SQ/44

A

12mm SQ.
44"



64/L/3SQ/44

A

12mm SQ.
44"



108/A/1

C

12mm SQ.
900mm



108/A/2

C

12mm SQ.
900mm



118/B/1L

A

12mm SQ.
900mm



102/3

C

12mm SQ.
900mm



105/1/44

C

12mm SQ.
44"



105/2/44

C

12mm SQ.
44"



497/1/44

B

12mm RD.
44"



497/2/44

B

12mm RD.
44"



479/1

B

12mm SQ.
110 x 900mm



499/1/44

B

12mm RD.
44"



499/2/44

B

12mm RD.
44"



500/1

B

12mm RD.
900mm



500/2

B

12mm RD.
900mm



501/1

B

12mm RD.
900mm



501/2

B

12mm RD.
900mm



503/1/44

B

12mm RD.
44"



573/1

A

12mm RD.
900mm



573/3

A

12mm RD.
900mm



591/3

B

12mm RD.
900mm



1170/1

D

12mm RD.
130 x1000mm



1171/2

D

12mm RD.
60 x1000mm



1185/1/44

C

12mm SQ.
44"



1187/1

B

12mm RD.
1000mm



604/6

B

12mm RD.
1000mm



604/7

B

12mm RD.
1000mm



604/8

B

12mm RD.
1000mm



1190/1

B

12mm RD.
900mm



1167/1

A

12mm RD.
1000mm



1167/2

A

12mm RD.
1000mm



1167/3

A

12mm RD.
1000mm



1167/4

A

12mm RD.
1000mm





1192/9

B

12mm RD.
1000mm



1241/5

A

12mm RD.
1000mm



1270/3

B

12mm SQ.
1200mm



1273/1

A

12mm SQ.
1200mm



14/RD/A03

C

1/2" SQ.
44"
ROUND COLLAR



14A/03SINGLE

C

1/2" SQ.
44"



14A/03DOUBLE

C

1/2" SQ.
44"



20/08

A

1/2" SQ.
36"



37/08/44

A

1/2" SQ.
44"



38/06/44

A

1/2" SQ.
44"



48/1/44

A

1/2" SQ.
44"



48/2/44

A

1/2" SQ.
44"



48/A/1/44

A

1/2" SQ.
44"



48/A/2/44

A

1/2" SQ.
44"



53/3/44

A

1/2" SQ.
44"



65/8/44

A

1/2" SQ.
44"



121S/44

A

1/2" SQ.
44"



122D/44

A

1/2" SQ.
44"



131BASKET

A

1/2" SQ.
40"



131S/44
131S/36

A

1/2" SQ.
44"
36"



132D/44
132D/36

A

1/2" SQ.
44"
36"



683/S/44

A

1/2" SQ.
44"



683/D/44

A

1/2" SQ.
44"



1051/1/44

A

1/2" SQ.
44"



1051/1LEAVES

A

1/2" SQ.
44"



P12/44

A

1/2" SQ.
44"



P12D/44

A

1/2" SQ.
44"

*FOR
OUR
SELECTION
OF
LEAVES &
FLOWERS,
PLEASE
REFER TO
CATEGORY
N.



PL36
PL39
PL43

A

1/2" SQ.
36"
39"
43"



PS37-S
PS41S

A

1/2" SQ.
37"
41"



1185/2/44

B

13mm RD.
44"



11/07/44

C

14mm SQ.
44"



11/08/44

C

14mm SQ.
44"



11/16/44

C

14mm SQ.
44"



11/17/44

C

14mm SQ.
44"



12/02

C

14mm SQ.
950mm



12/06

C

14mm SQ.
950mm



12/07

C

14mm SQ.
950mm



12/09

C

14mm SQ.
950mm



15/13

C

14mm SQ.
40"



15/14

C

14mm SQ.
40"

*FOR
OUR
SELECTION
OF
DECORATIVE
SHOES,
PLEASE
REFER TO
CATEGORY
F.



47/9

A

14mm SQ.
900mm



47/11

C

14mm SQ.
55 x 900mm



47/12

B

14mm SQ.
900mm



50/9

A

14mm SQ.
30 x 900mm



50/10

A

14mm SQ.
30 x 900mm



50/11

A

14mm SQ.
142 x 900mm



50/12

A

14mm SQ.
142 x 900mm



64/F/3/44

B

14mm SQ.
44"



64/F/5/44

B

14mm SQ.
44"



64/F/7

B

14mm SQ.
140 x 900mm



64/F/9

B

14mm SQ.
110 x 900mm



64/G/2

B

14mm SQ.
225 x 900mm



64/H/10
64/H/10-C

B

14mm SQ.
30 x 900mm
30mm x 40" (CHINA)



64/I/2/44

E

14mm SQ.
44"



64/I/3/44

E

14mm SQ.
44"



64/I/2T14/44

A

14mm RD.
44"



64/I/3T14/44

A

14mm RD.



64/I/5
64/I/5S

E

14mm SQ.
900mm
1000mm



64L2SQ1444

A

14mm SQ.
44"



64L3SQ1444

A

14mm SQ.
44"



64/L/3/44

A

14mm RD.
44"



64/L/4/44

A

14mm RD.
44"



70/D/5

A

14mm SQ.
900mm



70/D/1/44

A

14mm SQ.
44"



70/D/2

A

14mm SQ.
900mm



70/D/3

A

14mm SQ.
900mm



70/D/5-BB

A

14mm SQ.
42"



110/3/44

C

14mm SQ.
44"



110/4

C

14mm SQ.
900mm



110/5/44

C

14mm SQ.
44"



110/6

C

14mm SQ.
900mm



146/1

A

14mm RD.
40 x 900mm



148/2

A

14mm RD.
30 x 900mm



489/1/44
489/1/36

C

14mm SQ.
44"
36"



489/2/44
489/2/36

C

14mm SQ.
44"
36"



149/1
149/1/L

A

14mm RD.
30 x 900mm
30 x 1120mm



149/2

A

14mm RD.
30 x 900mm



490/1/44
490/1/36

C

14mm SQ.
44"
36"



490/2/44
490/2/36

C

14mm SQ.
44"
36"



496/C/1/44

B

14mm RD.
44"



496/C/2/44

B

14mm RD.
44"



503/1SQ/44

C

14mm SQ.
44"



505/3/44

C

14mm SQ.
44"



505/4/44

C

14mm SQ.
44"



Job produced by Protosteel Industries



507/1

C

14mm SQ.
900mm



508/3/44

B

14mm RD.
44"



508/4/44

B

14mm RD.
44"



562/2

B

14mm SQ.
900mm



573/2
573/2L

A

14mm RD.
900mm
1200mm



573/4

A

14mm RD.
900mm



577/2

A

14mm RD.
170 x 900mm



8027/2

A

14mm SQ.
1000mm



8027/4

A

14mm SQ.
1000mm



8027/6

A

14mm SQ.
1000mm



8027/8

A

14mm SQ.
1000mm





591/4

B

14mm SQ.
900mm



1215/1

B

14mm RD.
1000mm



1218/2

B

14mm RD.
1000mm



FS0910/44

C

14mm SQ.
44"



14B/03SINGLE

A

9/16" SQ.
44"



14B/03DOUBLE

A

9/16" SQ.
44"



1051/1/44-RD

A

9/16" SQ.
44"



37/07/44

A

5/8" SQ.
44"



134S/44

A

5/8" SQ.
44"



135D/44

A

5/8" SQ.
44"



LFOB115NCMAL
LFOB115NCSMA

A

5/8" RD.
45"
25 3/8" CENTER
DETAIL
22 1/8" CENTER
DETAIL



LFOB115TPMAL
LFOB115TPSMA

A

5/8" RD.
45"
25 3/8" CENTER
DETAIL
22 1/8" CENTER
DETAIL



48/11

A

16mm SQ.
65 x 900mm



48/12

A

16mm SQ.
65 x 900mm



48/13

B

16mm SQ.
65 x 900mm



48/14

B

16mm SQ.
65 x 900mm



48/A/9

A

16mm SQ.
65 x 900mm



48/A/10

A

16mm SQ.
65 x 900mm



604/1

B

16mm RD.
1000mm



604/2

B

16mm RD.
1000mm



604/3

B

16mm RD.
1000mm



96/2

C

830mm



508/2

B

18mm SQ.
900mm



E-7001820

A

3/4" SQ.
42"



10382/44

A

1" SQ.
44"



10383/44

A

1" SQ.
44"



589/5

A

40 x 4mm
800mm



44/12

B

40 x 8mm
1000mm



H = 800mm PLAIN

D

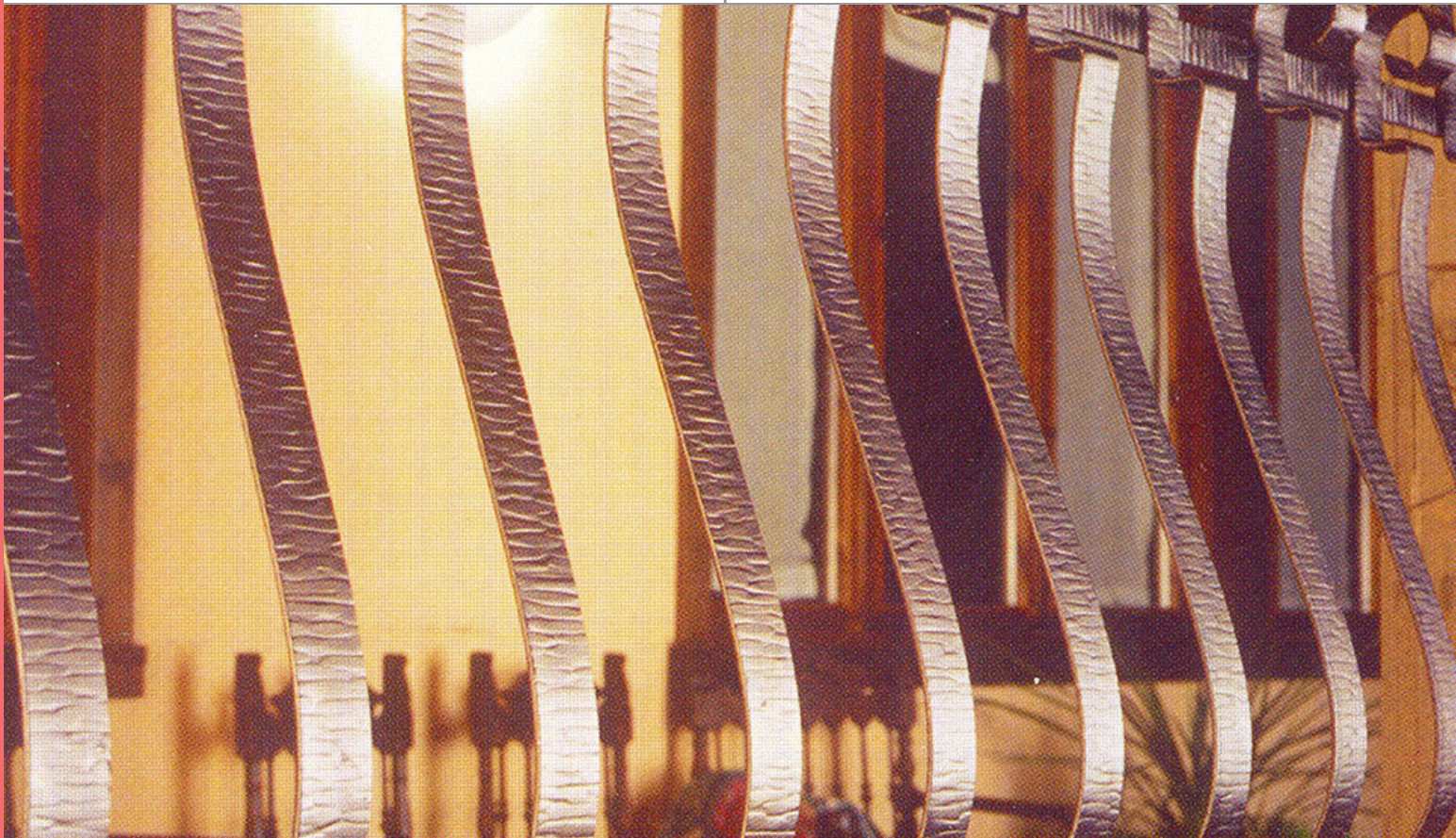
- 46/1 : 20 x 4mm
- 46/3 : 25 x 5mm
- 46/5 : 40 x 4mm
- 46/7 : 50 x 4mm

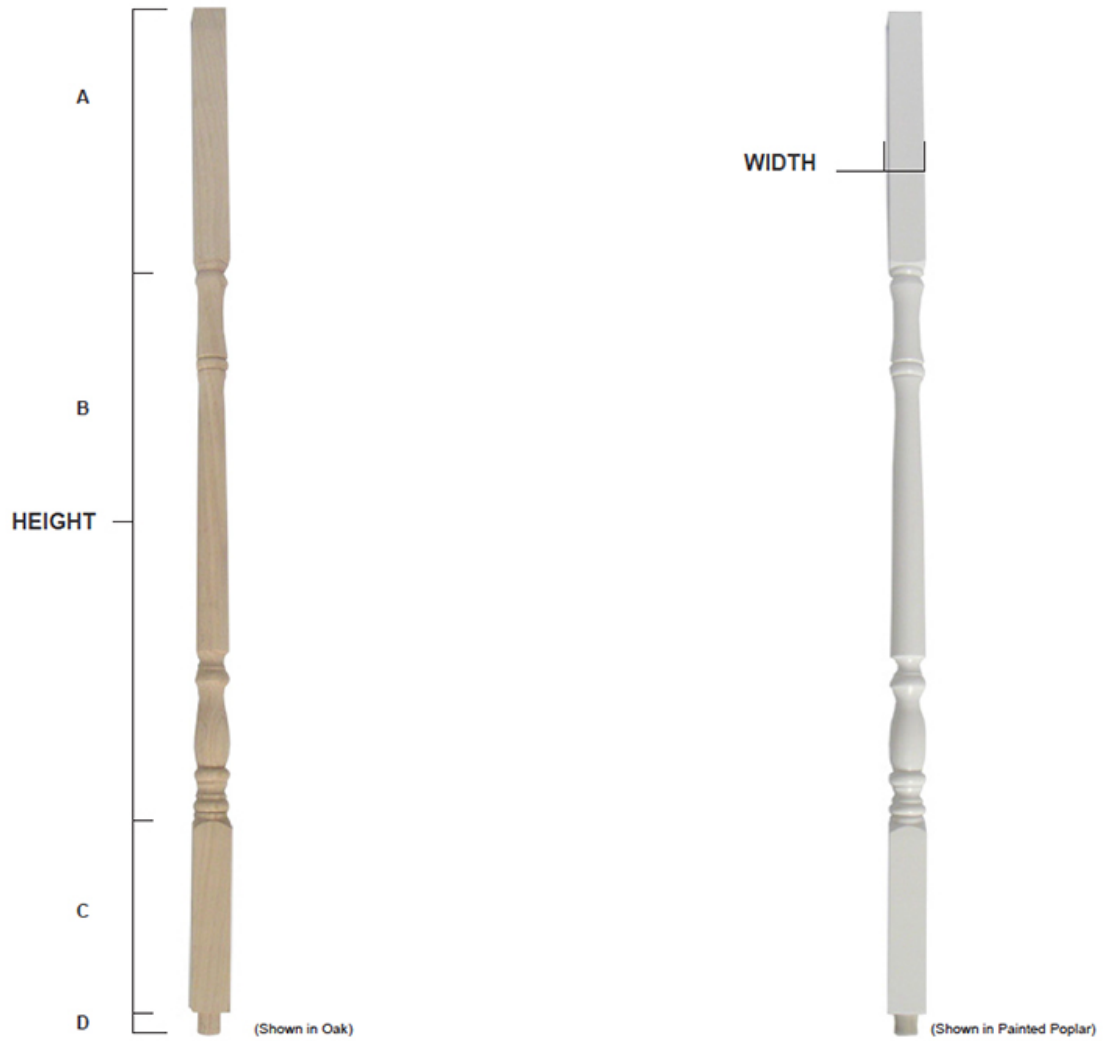


H = 800mm HAMMERED

C

- 46/2 : 20 x 4mm
- 46/4 : 25 x 5mm
- 46/6 : 40 x 4mm
- 46/8 : 50 x 4mm

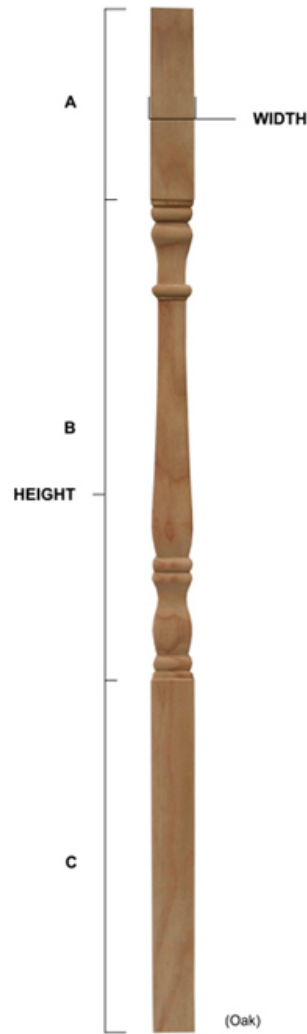




WB11436-O / WB11439-O / WB11442-O

WB11436-PP / WB11439-PP / WB11442-PP

PART #	-O	-PP	W (IN)	H (IN)	A	B	C	D
WB11436	✓	✓	1 1/4" SQ.	35 3/4"	10"	19"	6"	3/4"
WB11439	✓	✓	1 1/4" SQ.	38 3/4"	9 3/8"	22 5/8"	6"	3/4"
WB11442	✓	✓	1 1/4" SQ.	41 3/4"	8 3/4"	26 1/4"	6"	3/4"



WBS1344134-O

PART #	W (IN)	H (IN)	A	B	C
WBS1344134-O	1 3/4" SQ.	41 3/4"	7 11/16"	19 1/16"	15"



POSTS



CAST IRON

FORGED STEEL

WOOD



2 1/2"

6000
6000-X

6"W x 27"H - 2 HALF SECTIONS
6"W x 27"H - 1 PIECE
2 1/2"ID



2 1/2"

6003

7"W x 26"H - 2 HALF SECTIONS
2 1/2"ID



4 1/2"

6009 - COLLAR
6008 - POST

COLLAR: 9"W x 6 1/2"H - 2 HALF SECTIONS
POST: 10 1/2"W x 26 3/4"H - 2 HALF SECTIONS
4 1/2"ID
*ENTIRE ITEM WILL FIT OVER 4" PIPE



3 9/16"

6191 - DECORATIVE COLLAR
6191-H - DECORATIVE HALF-COLLAR
6190 - PLAIN COLLAR
6190-H - PLAIN HALF-COLLAR

DECORATIVE: 6"W x 11"H
PLAIN: 5"W x 7 1/4"H
3 9/16"ID
*6190 / 6191: CAST IN 1 PIECE TO FIT OVER
6190-H / 6191-H: CAST IN HALVES TO FIT AROUND



7/8"

8191 - CROWN TOP
8192 - ROMAN POST

TOP:
3 1/2"W x 12"H - 2 HALF SECTIONS
1 1/4"ID
*HOLE IS 8" DEEP INSIDE CROWN
BOTTOM:
3 1/2"W x 30 1/4"H - 2 HALF SECTIONS
1 1/4"ID
*HOLE AT TOP IS 2" DEEP INSIDE POST; HOLE AT BOTTOM IS 7" DEEP INSIDE POST
*7/8"ID THROUGH POST AND CENTER OF CROWN PIECES WHEN MATCHED



3"

8329

6"W x 16 1/2"H
3"ID
*HOLE COMPLETELY THROUGH



4"

8513

4"W x 29 3/4"H
2 3/4" DIA. TOP & 4" DIA. BOTTOM
*1 PIECE SOLID



3"

9301 - POST TOP
9302 - SPACER
9303 - BOTTOM

POST TOP: 5 3/8"W x 14"H WITH 7" DEEP OPENING
SPACER: 3 3/4"W x 6"H
BOTTOM: 4 1/4"W x 8 3/4"H
POST TOP, SPACER, BOTTOM: 3"ID



Job Produced by Dufferin Iron & Railings



3 1/4"

9113-X

4 1/2"W x 47"H (SQUARE BASE) - 2 PIECES
TOP: 28"H, 2 7/8"ID
BOTTOM: 19"H, 3 1/4"ID



3 5/8"

9115-X

5"W x 48"H (OCTAGONAL BASE) - 2 PIECES
TOP: 24 1/2"H, 1 3/4"ID
BOTTOM: 23 1/2"H, 3 5/8"ID



Job Produced by Protosteel Industries



LFOP-111

A

1 9/16" RD.
47 1/2"H WIDTH 1 3/8" RD. TOP



LFOP-222

A

1 9/16" RD.
47 1/2"H WIDTH 1 3/8" RD. TOP



LFOP-333

A

1 3/8" SQ.
47 1/2"H

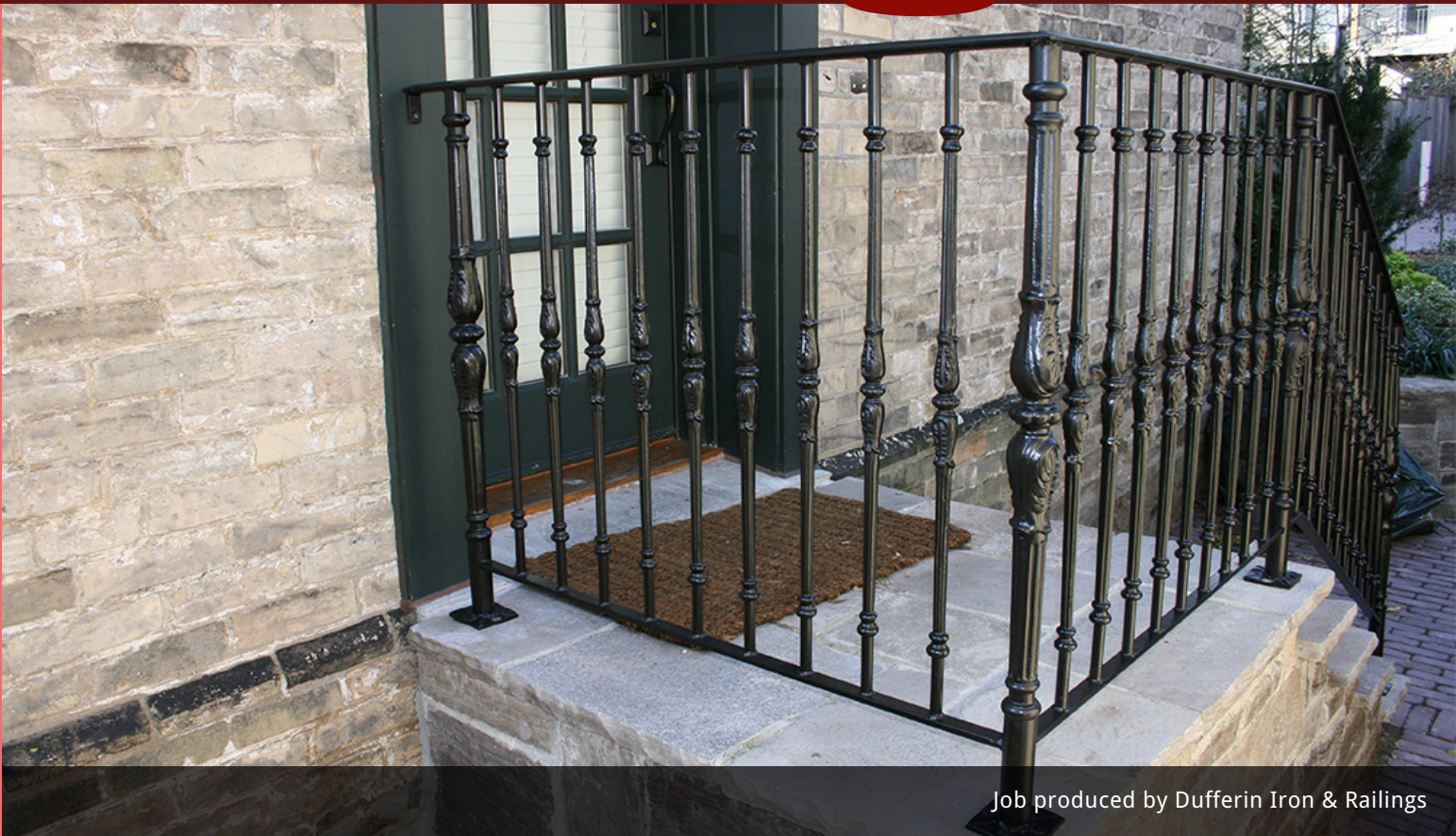


LFOP-555

A

A

1 3/8" SQ.
47 1/2" WIDTH 1 3/8" RD. TOP



Job produced by Dufferin Iron & Railings

6"



8393

9 1/4"W x 9 1/2"H - 2 HALF SECTIONS
6"ID

6"



8394

12"W x 8"H - 2 HALF SECTIONS
6"ID



16B/06

C

30mm SQ.
1200mm



17/12

C

25mm SQ.
1200mm



64/16

B

50mm RD
1300mm



64/I/1

C

25mm SQ.
1200mm



64/I/1T25

A

25mm RD.
1200mm



64/F/1

B

25mm SQ.
1200mm





112/3
112/4

A

25mm SQ.
30mm SQ.
1200mm



112/5
112/6

C

25mm SQ.
30mm SQ.
1200mm



112/7
112/8

C

25mm SQ.
30mm SQ.
1200mm



112/9

C

30mm SQ.
1200mm



112/10

C

30mm SQ.
1200mm



112/11

C

30mm SQ.
1200mm



112/2

B

30mm SQ.
1200mm



112/B/8

C

30mm SQ.
1100mm



113/3

113/1-1
113/2

A

20mm SQ.
1" SQ.
30mm SQ.
1100mm



113/5
113/6

A

20mm SQ.
30mm SQ.
1100mm



113/4

B

30mm SQ.
1100mm



131P

A

1" SQ.
40"



797/1

B

30mm RD.
1200mm



797/2

B

30mm RD.
1200mm



798/2

C

25mm SQ.
1100mm



503/1SQ1

C

1" SQ.
48"



508/3114

A

1 1/4" RD.
47"



801/1

A

25mm RD.
1200mm





Job produced by Bolton Railings



1207/2

A

80mm SQ.
105 x 1200mm



1207/1

A

60mm SQ.
85 x 1200mm



1207/3

A

75mm SQ.
100 x 1200mm



8027/9

A

25mm SQ.
1200mm



8012/56
8012/58

A

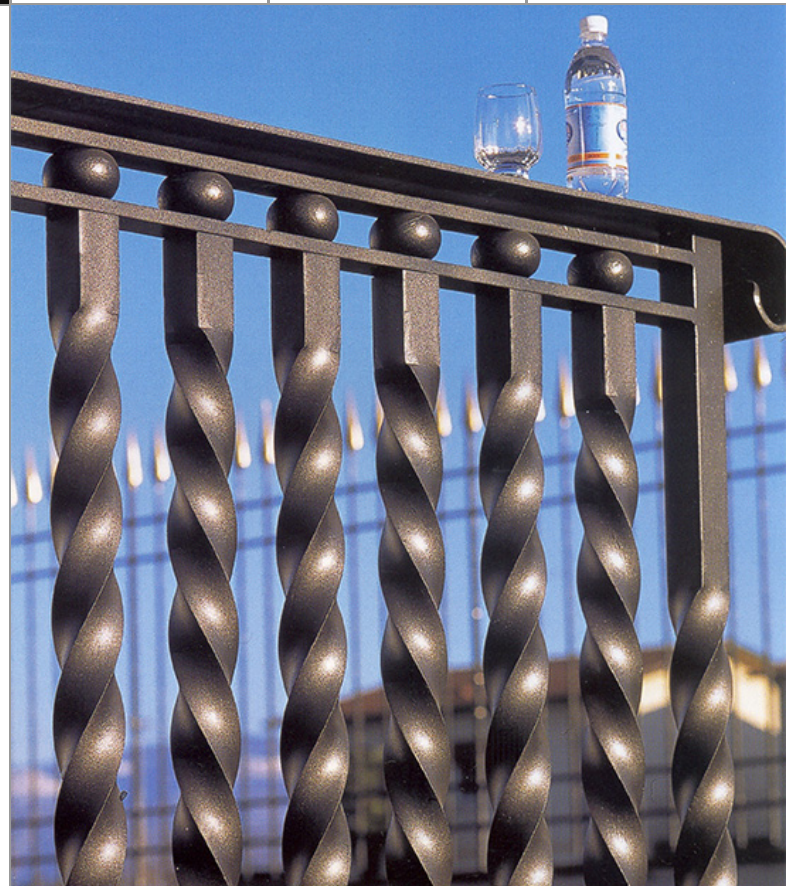
30mm - LT TWIST
50mm - RT TWIST
1200mm

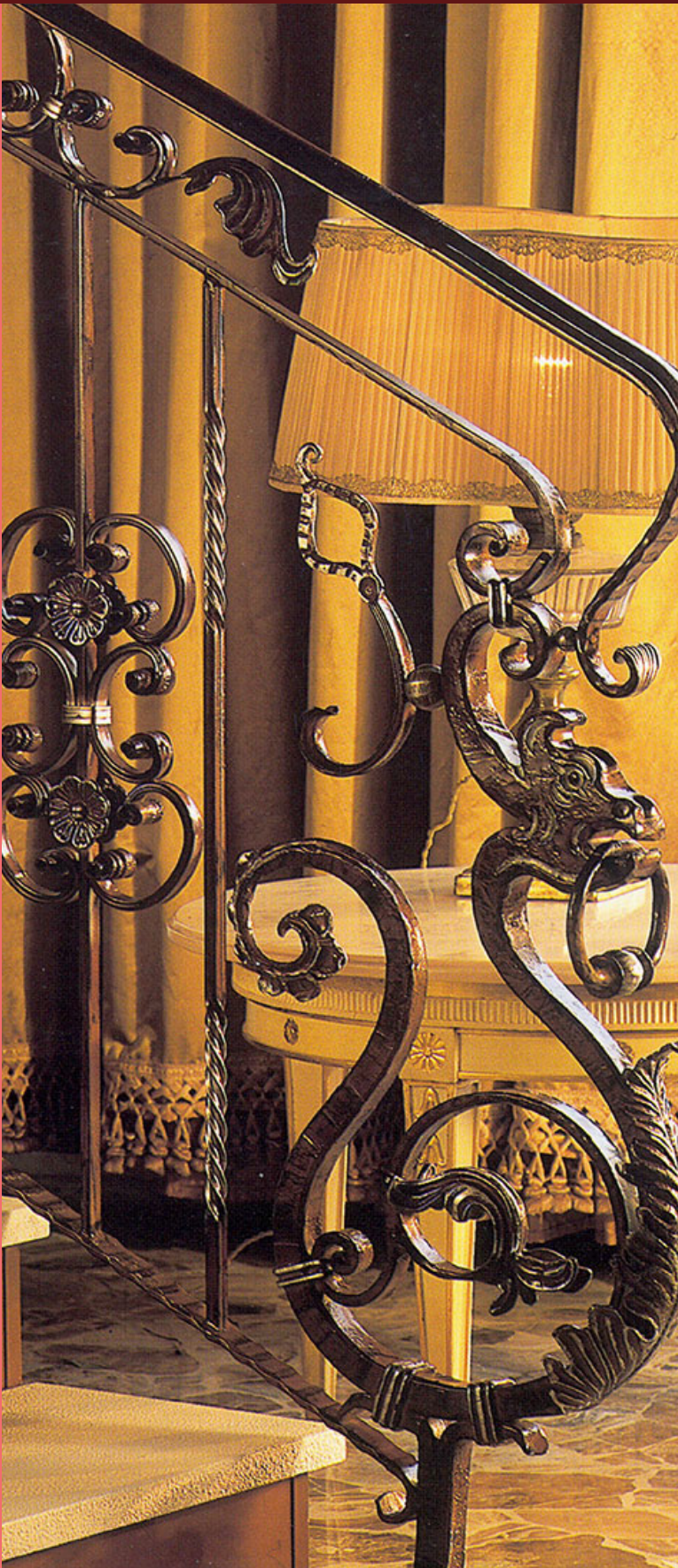


8012/34

A

50mm SQ.
1200mm





802/1

E

30mm SQ.
350mm x 1000mm



799/1

C

25mm SQ.
1100mm



STP54434

A

4 3/4" SQ.
54" (0.1" THICK)



E-7001020

A

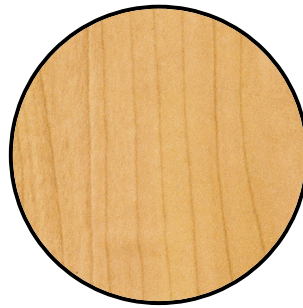
1 9/16" SQ.
39"



WOOD POSTS AVAILABLE IN:



OAK (-O)



HARD MAPLE (-HM)



SOFT MAPLE (-SM)

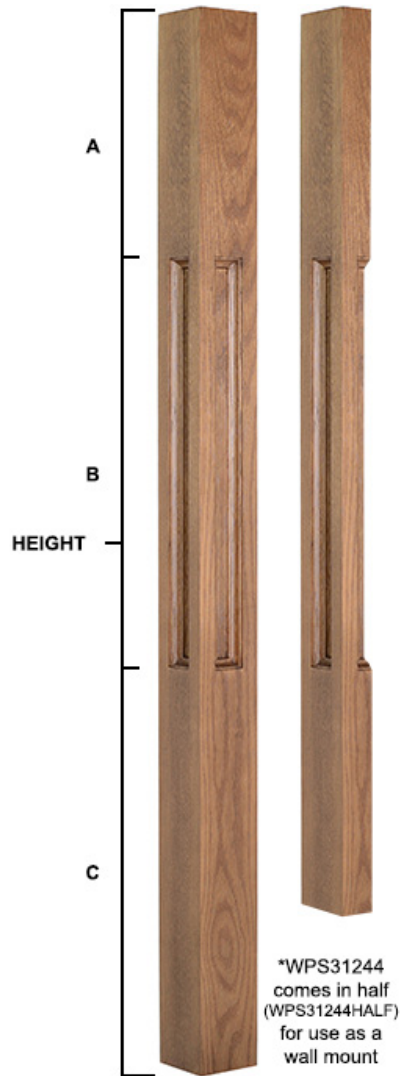
For our selection of Wood Posts on the following pages, we primarily stock OAK and at times HARD MAPLE or SOFT MAPLE.

The types of wood species that we stock are indicated in the product table at the bottom of each page.

Non-stock HARD MAPLE or SOFT MAPLE and other types of wood available by custom order.

Please call to inquire.

*For our selection of wood post caps, please refer to category J.



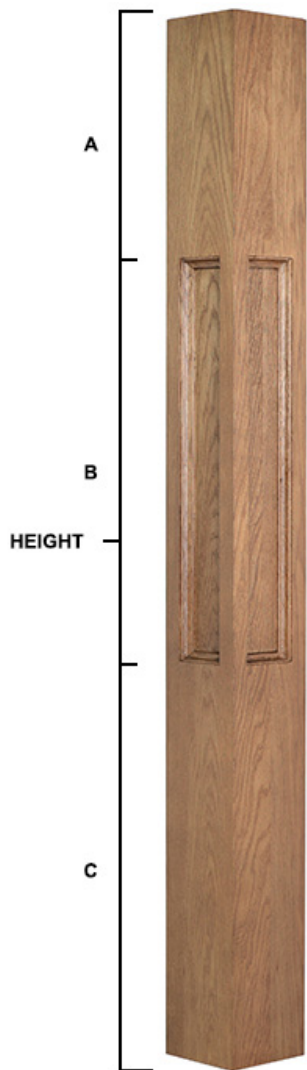
WC414

*Wood post cap in Oak & Soft Maple
- used with WPS31244 & WPS31252
(fits over 3 1/2" SQ.)



WPS31244 / WPS31244HALF / WPS31252

PART #	-O	-SM	BASE (IN)	H (IN)	A	B	C
WPS31244	✓	✓	3 1/2" SQ.	44"	12"	20"	12"
WPS31244HALF	✓		3 1/2" x 1 5/8" SQ.	44"	12"	20"	12"
WPS31252	✓	✓	3 1/2" SQ.	52"	12"	20"	20"



WPS552

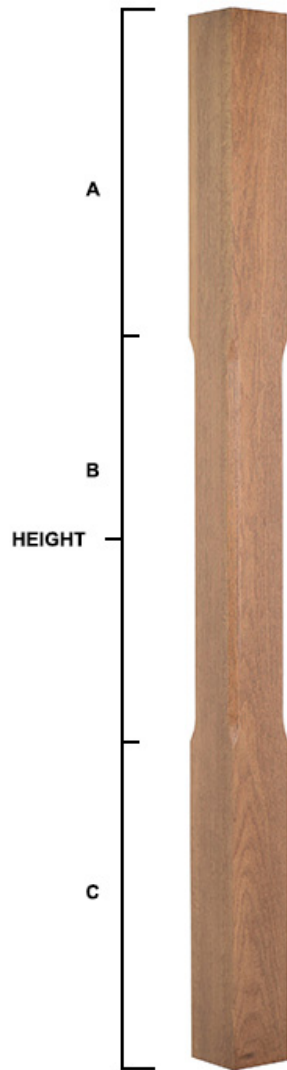


WC414-5

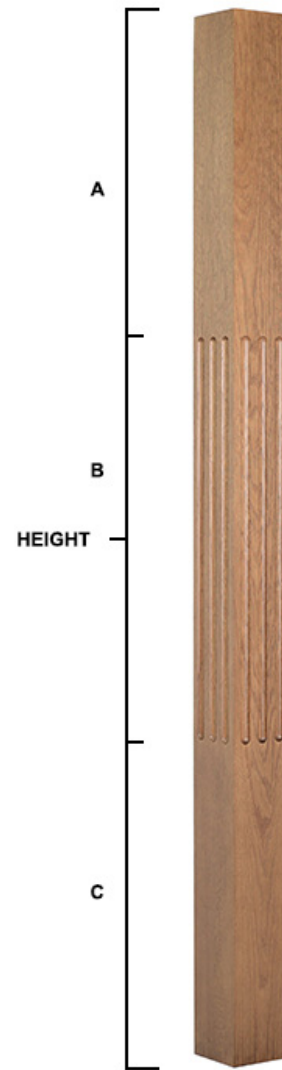
*Wood post cap in
Oak & Hard Maple
- used with
WPS552
(fits over 5" SQ.)



PART #	-O	-HM	BASE (IN)	H (IN)	A	B	C
WPS552	✓	✓	5" SQ.	52"	12"	20"	12"



WPC31245 / WPC31252



WPI31245 / WPI31252

PART#	-O	-SM	BASE (IN)	H (IN)	A	B	C
WPC31245	✓	✓	3 1/2" SQ.	45"	11"	20"	14"
WPC31252	✓	✓	3 1/2" SQ.	52"	16"	20"	16"
WPI31245	✓	✓	3 1/2" SQ.	45"	11"	20"	14"
WPI31252	✓	✓	3 1/2" SQ.	52"	16"	20"	16"



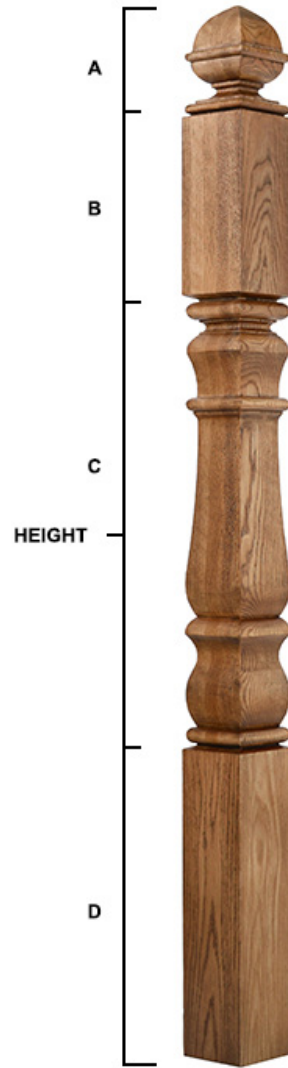
SS212SLEEVE

*Stainless steel sleeve
- included with
WPMS31254;
also sold separately



WPMS31254

PART#	-O	-SM	BASE (IN)	H (IN)	A	B	C
WPMS31254	✓	✓	3 1/2" SQ.	54"	2 1/2"	1 1/2"	50"



WPSS45312

PART #	-O	BASE (IN)	H (IN)	A	B	C	D
WPSS45312	✓	4" SQ.	53 1/2"	5 11/16"	9 3/8"	22 9/16"	15 7/8"

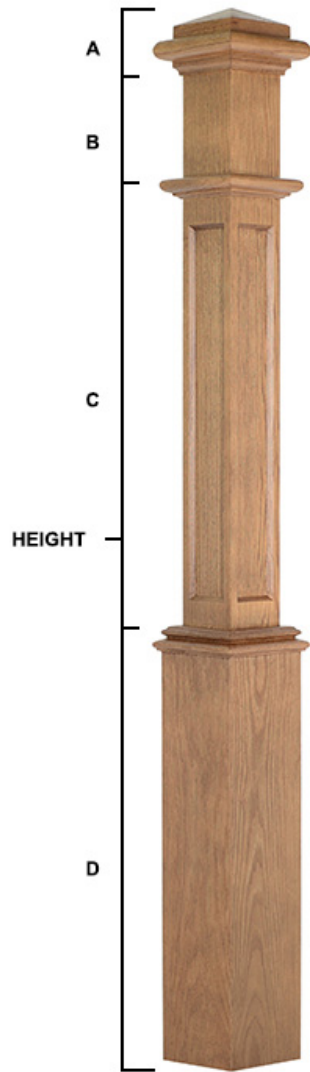


WP31248BL / WP31252BL



WPH41248BL / WPH41252BL

PART #	-HM	BASE (IN)	H (IN)
WP31248BL	✓	3 1/2" SQ.	48"
WP31252BL	✓	3 1/2" SQ.	52"
WPH41248BL	✓	4 1/2" SQ.	48"
WPH41252BL	✓	4 1/2" SQ.	52"



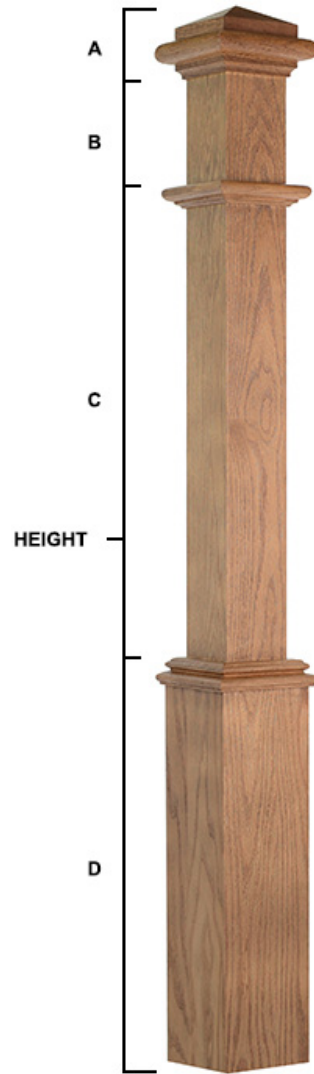
W5091



W5091-HALF

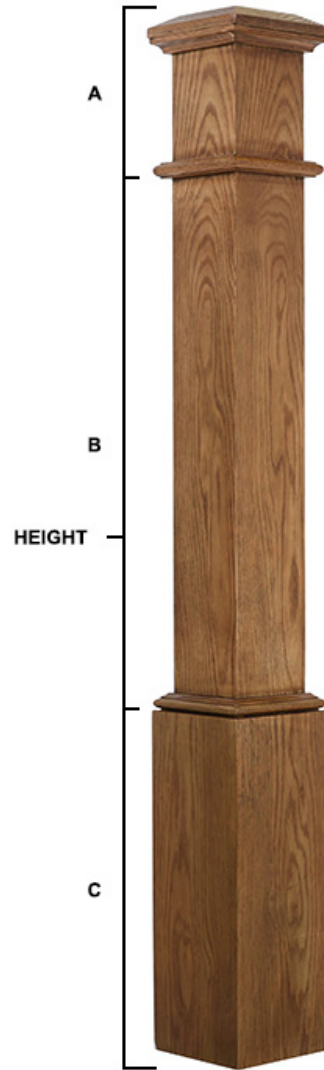
*W5091
comes in
half
(W5091-HALF)
for use
as a
wall mount

PART #	-O	-HM	BASE (IN)	H (IN)	A	B	C	D
W5091	✓	✓	5" SQ.	55"	3 17/32"	5 1/4"	22 17/32"	23 11/16"
W5091-HALF	✓	✓	5" x 2 1/2"	55"	3 17/32"	5 1/4"	22 17/32"	23 11/16"



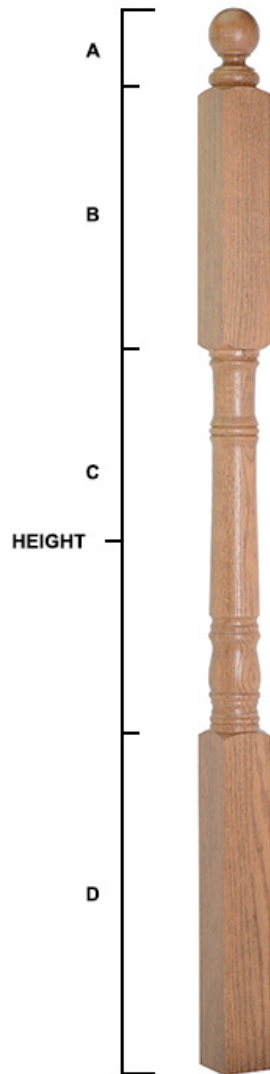
W5091-NOIN

PART #	-O	-HM	BASE (IN)	H (IN)	A	B	C	D
W5091-NOIN	✓	✓	5" SQ.	55"	3 17/32"	5 1/4"	22 17/32"	23 11/16"

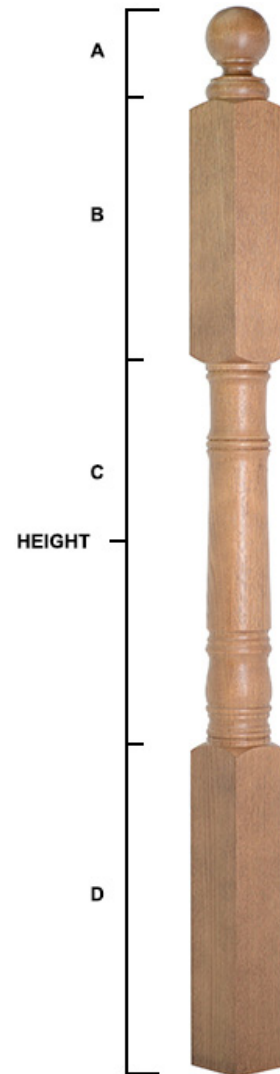


WP63978 / WP64978

PART #	-O	-HM	-SM	BASE (IN)	H (IN)	A	B	C
WP63978	✓	✓		6" SQ.	39 7/8"	7 7/8"	25 1/2"	6 1/2"
WP64978	✓	✓	✓	6" SQ.	49 7/8"	7 7/8"	25 1/2"	16 1/2"

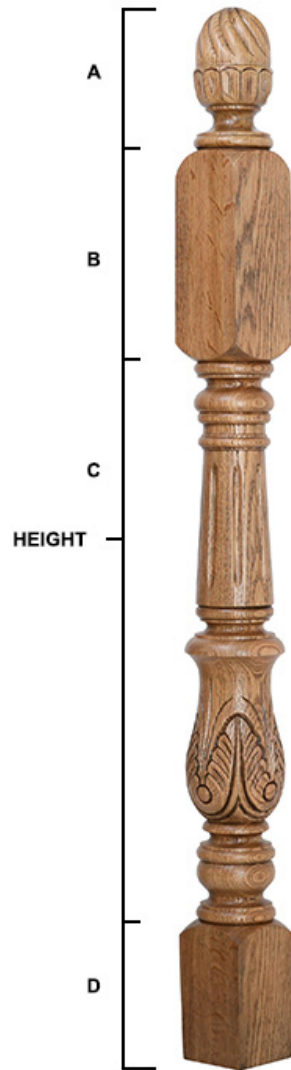


WP23442 / WP234485 / WP234535

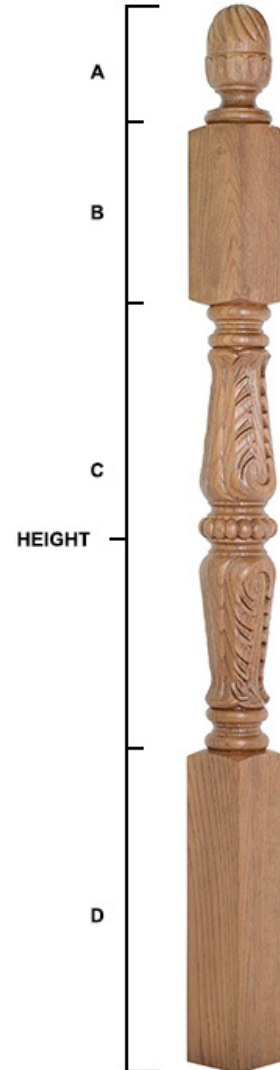


WP31242 / WP312485 / WP312535

PART #	-O	BASE (IN)	H (IN)	A	B	C	D
WP23442	✓	2 3/4" SQ.	42"	4"	13 1/4"	19"	5 3/4"
WP234485	✓	2 3/4" SQ.	48 1/2"	4"	13 1/4"	19"	12 1/4"
WP234535	✓	2 3/4" SQ.	53 1/2"	4"	13 1/4"	19"	17 1/4"
WP31242	✓	3 1/2" SQ.	42"	5"	13 1/4"	19"	6"
WP312485	✓	3 1/2" SQ.	48 1/2"	5"	13 1/4"	19"	11 1/4"
WP312535	✓	3 1/2" SQ.	53 1/2"	5"	13 1/4"	19"	16 1/4"



WPF31245



WPFOP-111

PART #	-O	-SM	BASE (IN)	H (IN)	A	B	C	D
WPF31245	✓		3 1/2" SQ.	44.7"	6"	9"	23.7"	6"
WPFOP-111	✓	✓	3 1/2" SQ.	53"	6"	9"	22"	16"